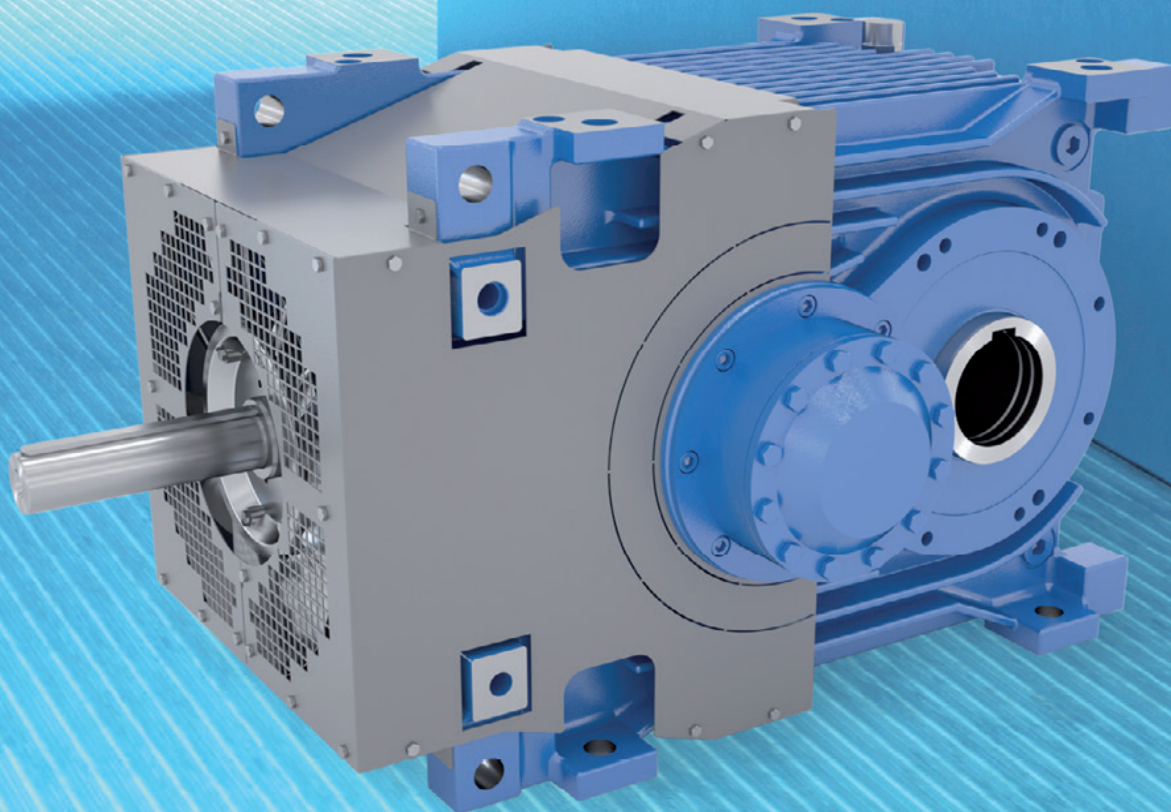


Intelligent Drivesystems, Worldwide Services



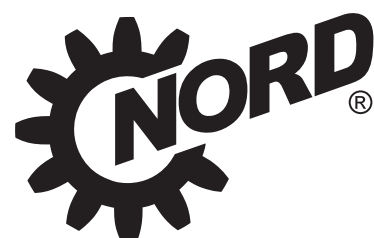
EN

PRODUCT INFORMATION

MAXXDRIVE® XT

Industrial Gear Units SK 5217 - 11217

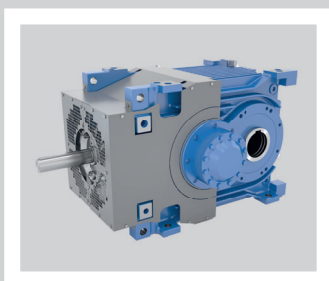
TI60-0011



DRIVESYSTEMS

Contents

MAXXDRIVE XT	2
Mounting Configuration	4
Oil Fill Quantities	8
Overview Options	10
Shaft Options	12
Gear Unit Options	14
Overview Ratings Tables	20
Nominal Power Ratings	22
Nominal Output Torques	23
Moments of Inertia	24
Exact Ratios	25
Thermal Rating - M1 Mounting - 1000 rpm at 20 °C	26
Thermal Rating - M1 Mounting - 1000 rpm at 40 °C	27
Thermal Rating - M1 Mounting - 1200 rpm at 20 °C	28
Thermal Rating - M1 Mounting - 1200 rpm at 40 °C	29
Thermal Rating - M1 Mounting - 1500 rpm at 20 °C	30
Thermal Rating - M1 Mounting - 1500 rpm at 40 °C	31
Thermal Rating - M1 Mounting - 1800 rpm at 20 °C	32
Thermal Rating - M1 Mounting - 1800 rpm at 40 °C	33
Overview Dimension - Housing	34
Overview Dimension - Shaft Size	35
SK 5217 Dimension	36
SK 6217 Dimension	38
SK 7217 Dimension	40
SK 8217 Dimension	42
SK 9217 Dimension	44
SK 10217 Dimension	46
SK 11217 Dimension	48
Optional Shafts	50
Optional Accessory	52



DRIVESYSTEMS

www.nord.com

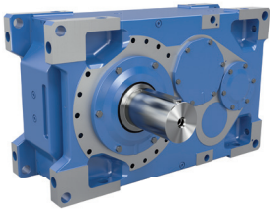


Headquarters and Technology Center

- in Bargteheide, close to Hamburg

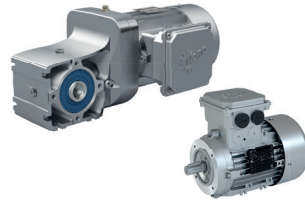
Mechanical products

Gear units



Electrical products

Motors



Electronic products

Inverters, motor starters and distribution systems



Innovative drive solutions

- for more than 100 branches of industry



Gear unit production



Motor production



Inverter production

7 state-of-the-art production plants

- produce gear units, motors and inverters for complete drive solutions from a single source



Subsidiaries and sales partners in 98 countries on 5 continents

- provide local inventory
- assembly and production facilities
- technical support
- industry-leading customer service

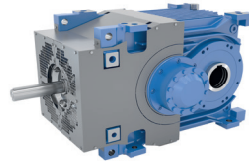
The above map image is for information purpose and may not have been prepared or be suitable for legal purpose and we do not own any responsibility for correctness or authenticity of the same.



More than 4.000 employees throughout the world

- create customer-oriented drive solutions

MAXXDRIVE XT

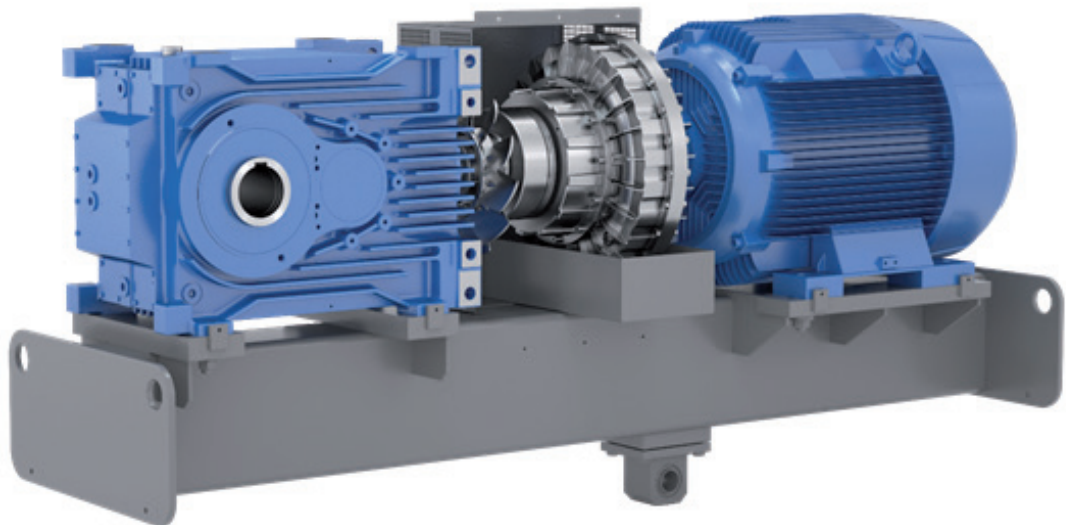


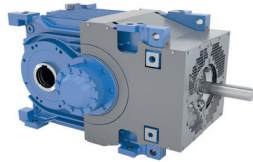
MAXXDRIVE XT Industrial Gear Unit series enlarges existing product portfolio by a variant with significantly increased thermal ratings.

This series has especially been developed for conveying applications. Its gear units can be equipped with all required options which are common for the application.

Options

- Swing base / Base frame
- Fluid coupling / elastic coupling
- Brake (disc / drum)
- Motor
- IEC / NEMA Adapter





Reducers from MAXXDRIVE XT series are pure 2-stage bevel-helical gear units, available with ratios from 6.3 to 22.4.

Common base for this new product is the wellknown MAXXDRIVE Industrial Gear Unit series, many of its existing options will be used for MAXXDRIVE XT, too.

The heavily ribbed UNICASE housing has got distinctly bigger surface to lead away the losses. Integrated axial fan and optimized air flow of this series lead to multiple higher thermal ratings. Meaning in many cases such drive systems are able to operate without any additional external cooling.

Referring to information which are explicit not listed in this Technical Information, please see catalogue for Industrial Gear Units G 1050.

All main features from MAXXDRIVE series are naturally valid for XT-series also. Selection of MAXXDRIVE XT series is following same criteria which are listed in catalogue G1050.

Ratio area

high thermal ratings

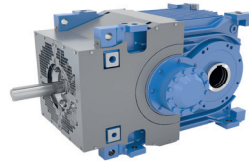
- Use often without additional external cooling

Technical Informations

⇒  **G1050**

- also valid for MAXXDRIVE XT-Serie

Mounting Configuration



Mounting position system

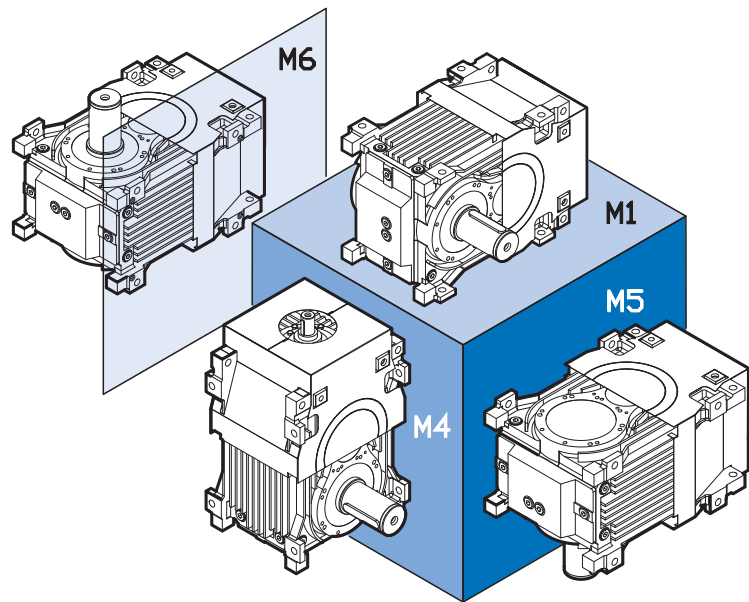
For gear units and gear motors, NORD DRIVESYSTEMS specifies between six installation positions from M1 to M6.

However, only the mounting positions M1, M4, M5 and M6 are permitted for 2-stage (industrial) bevel helical gear units.

The correct installation position must be specified when ordering.

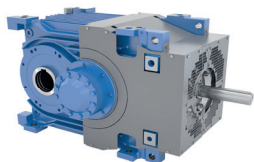
MAXXDRIVE XT 2-stage (industrial) bevel-helical gear unit

- M1** 2-Stage unit standard Installation
- M4** Output shaft located on lower end of gearbox
- M5** Output shaft facing downwards
- M6** Output shaft facing upwards

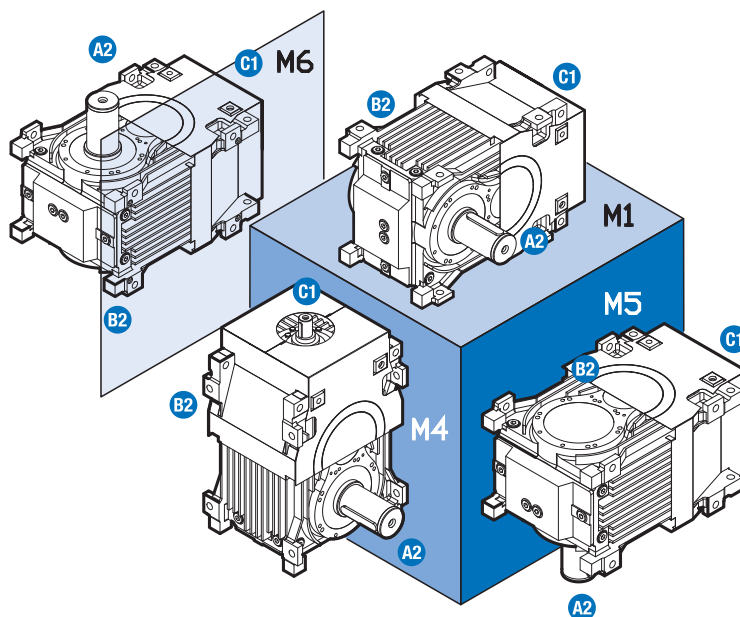


Pivoted and Variable Mounting Positions

If you have any mounting requirements that vary from the standard positions, please consult NORD DRIVESYSTEMS.



NORD provides gearmotors, speed reducers and motors that can be configured very differently to suit customer needs. When ordering, it is beneficial that the drive be specified exactly the way you want it delivered.



Mounting Configuration
M1 - M6

Shaft Configuration
C1, A2, B2

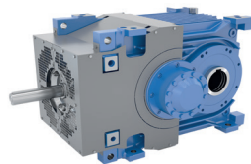
Position of Attachments
C1, A2, B2

Shaft Configuration

The positions of the required shaft outlets are determined by viewing the gearbox from above in a default horizontal mounting position. M1 is the default (standard) for 2-stage parallel and 2-stage helical-bevel gear units.

Position of Attachments

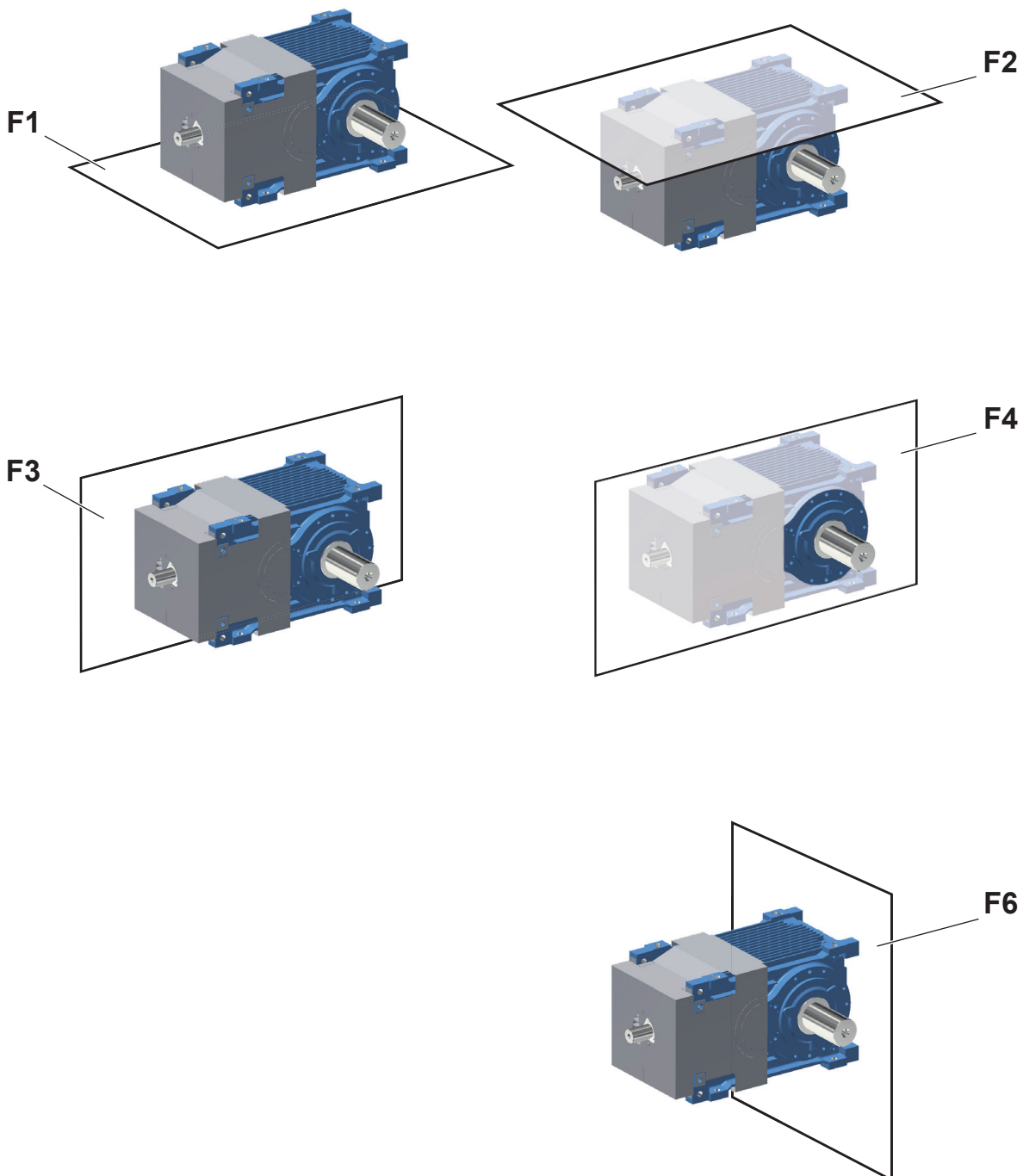
The positions of attached elements such as backstops, fans, flange-mounted pumps, drive flanges, agitator flanges etc. are determined according to the same principle as the shaft positions.

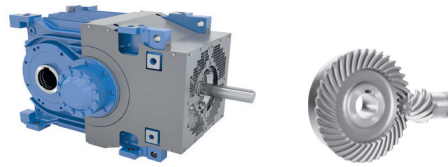


Mounting Surfaces

The mounting surface specifies the side on which the gear unit is fixed. Five mounting surfaces are available based on the diagrams below (F1 - F6).

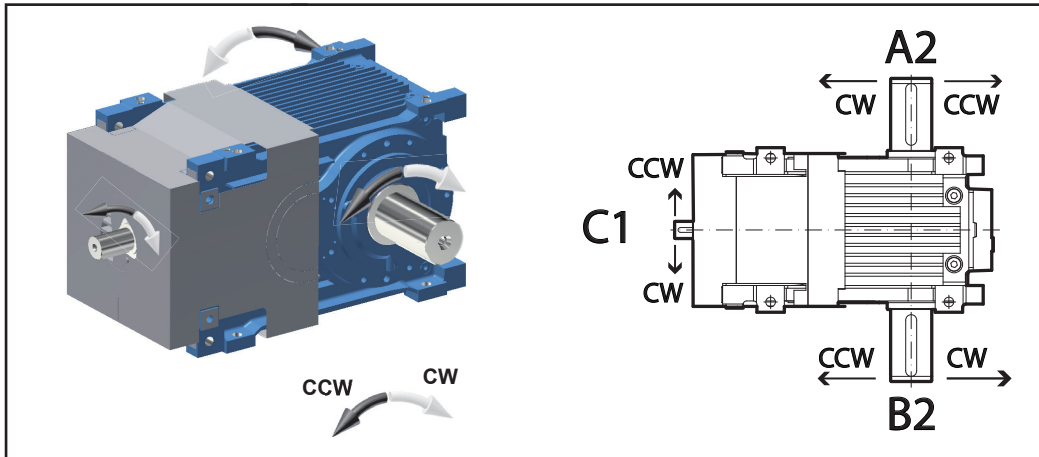
In the following diagram, the mounting surfaces for mounting position M1 are indicated.





Rotation Direction of Input/Output shafts

The direction of rotation for the gearbox shafts are dependant upon the installation position and the shaft configuration.



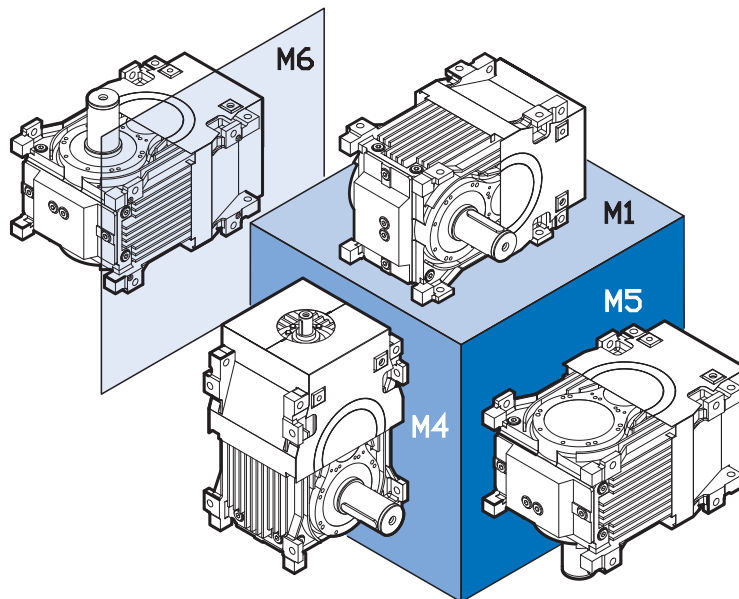
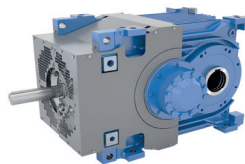
The labels that come standard on the units mark the direction of free rotation in the event that backstops are used.

CCW = Counter-ClockWise rotation
CW = ClockWise rotation

Installation position ¹⁾ M1 Direction of view ¹⁾ F2	Shaft Positions ¹⁾ =>	Rotation Direction of Input			Rotation Direction of Output	
		C1	A1	B1	A2	B2
SK ..217	or	CW	---	---	CCW	CW
		CCW	---	---	CW	CCW
SK ..217 (Optional)	or	CW	---	---	CW	CCW
		CCW			CCW	CW

1) Please see ⇨ 4 - 6

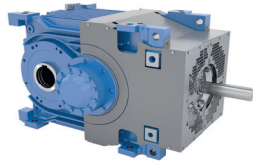
Industrial-Bevel-Helical Gear Unit Mounting Positions and Oil Fill Quantities



Oil filling quantity in liters

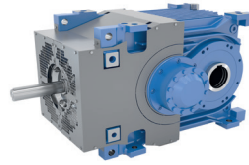
Unit type	M1			M4			M5			M6		
	WX Auxiliary drive	R Backstop	OT Oil tank	WX Auxiliary drive	R Backstop	OT Oil tank	WX Auxiliary drive	R Backstop	OT Oil tank	WX Auxiliary drive	R Backstop	OT Oil tank
SK 5217	+3	30 +2	---	+3	68 +2	+10	+3	68 +2	+10	+3	68 +2	+10
SK 6217	+3	38 +2	---	+3	87 +2	+10	+3	87 +2	+10	+3	87 +2	+10
SK 7217	+8	49 +2	---	+8	112 +2	+10	+8	112 +2	+10	+8	112 +2	+10
SK 8217	+8	56 +2	---	+8	126 +2	+10	+8	126 +2	+10	+8	126 +2	+10
SK 9217	+10	87 +3	---	+10	206 +3	+20	+10	206 +3	+20	+10	206 +3	+20
SK 10217	+10	107 +5	---	+10	249 +5	+20	+10	249 +5	+20	+10	249 +5	+20
SK 11217	+10	162 +5	---	+10	361 +5	+20	+10	361 +5	+20	+10	361 +5	+20

Note: The stated quantities are guide values. In the order-related documentation are the exact values.



Weights SK .217

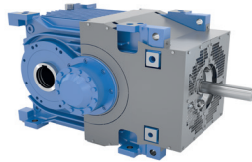
Unit type	V (Solid Shaft)		L (Double Solid Shaft)		A (Hollow Shaft)		AS (Hollow Shaft /Shrink Disc)	
	kg	lb	kg	lb	kg	lb	kg	lb
SK 5217	568	1252	596	1314	528	1164	537	1183
SK 6217	650	1433	678	1495	610	1345	619	1365
SK 7217	801	1765	849	1871	737	1624	758	1670
SK 8217	814	1795	862	1901	750	1654	771	1700
SK 9217	1383	3049	1462	3222	1259	2776	1282	2826
SK 10217	1533	3379	1611	3551	1409	3105	1432	3156
SK 11217	2105	4640	2175	4795	1920	4234	1985	4377



MAXXDRIVE XT Industrial Gearbox Options

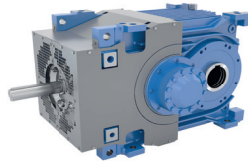
Options Code	Description	Output Design	Output Options	Input Design	Add. Options	Size						
						SK 5217	SK 6217	SK 7217	SK 8217	SK 9217	SK 10217	SK 11217
A	Keyed hollow output shaft	X				✓	✓	✓	✓	✓	✓	✓
AS	Keyed hollow for shrink disc	X				✓	✓	✓	✓	✓	✓	✓
B	Fixing kit for hollow output shaft		X			✓	✓	✓	✓	✓	✓	✓
CC	Internal water cooler				X	✓	✓	✓	✓	✓	✓	✓
CS1	External oil / water cooler				X	✓	✓	✓	✓	✓	✓	✓
CS2	External oil / air cooler				X	✓	✓	✓	✓	✓	✓	✓
D	Torque support		X			✓	✓	✓	✓	✓	✓	✓
ED	Elastic torque support		X			✓	✓	✓	✓	✓	✓	✓
FAN	Fan or Electric Fan			2)		✓	✓	✓	✓	✓	✓	✓
H/H66	Cover (contact protection) / IP66 Cover		X	X		✓	✓	✓	✓	✓	✓	✓
IEC	Adapter for fitting B5 IEC standard motors			X		✓	✓	✓	✓	✓	✓	✓
L	Double solid output shaft	X				✓	✓	✓	✓	✓	✓	✓
MO	Monitoring devices and sensors				X	1)	1)	1)	1)	1)	1)	1)
MF	Motor base frame (options: see MF..)				X	✓	✓	✓	✓	✓	✓	✓
MFT	Base frame with fluid coupling				X	✓	✓	✓	✓	✓	✓	✓
MFTB	Base frame with fluid coupling and brake				X	✓	✓	✓	✓	✓	✓	✓
MFK	Base frame with elastic coupling				X	✓	✓	✓	✓	✓	✓	✓
MFKB	Motorrahmen mit elastischer Kupplung und Bremse				X	✓	✓	✓	✓	✓	✓	✓
MS	Motor Swing Base (options: see MS..)				X	✓	✓	✓	✓	✓	✓	✓
MSK	Swing base with elastic coupling				X	✓	✓	✓	✓	✓	✓	✓
MSKB	Swing base with elastic coupling and brake				X	✓	✓	✓	✓	✓	✓	✓
MST	Swing base with fluid coupling				X	✓	✓	✓	✓	✓	✓	✓
MSTB	Swing base with fluid coupling and brake				X	✓	✓	✓	✓	✓	✓	✓

1) on request 2) integrated in the basic gear unit



Options Code	Beschreibung	Abtriebsausführung	Abtriebsoptionen	Antriebsausführung	Zus. Optionen	Baugrößen						
						SK 5217	SK 6217	SK 7217	SK 8217	SK 9217	SK 10217	SK 11217
NEMA	Adapter for fitting B5 NEMA C-flange standard motors			X		✓	✓	✓	✓	✓	✓	✓
OH	Oil heater				X	✓	✓	✓	✓	✓	✓	✓
R	Backstop			X		✓	✓	✓	✓	✓	✓	✓
TAC	Tacinite F Dichtungssystem		X	X		✓	✓	✓	✓	✓	✓	✓
V	Solid output shaft	X				✓	✓	✓	✓	✓	✓	✓
WX	Auxiliary drive			³⁾		✓	✓	✓	✓	✓	✓	✓
W	W-Solid Shaft Input			X		✓	✓	✓	✓	✓	✓	✓
---	Brakes				X	✓	✓	✓	✓	✓	✓	✓
---	Couplings		X	X		✓	✓	✓	✓	✓	✓	✓
---	Paint Coatings				X	✓	✓	✓	✓	✓	✓	✓
---	Endurance Package				X	✓	✓	✓	✓	✓	✓	✓

³⁾ Restriction in combination with shrink disc and fastener



Hollow Shaft with Shrink disc and Shaft cover (ASH)

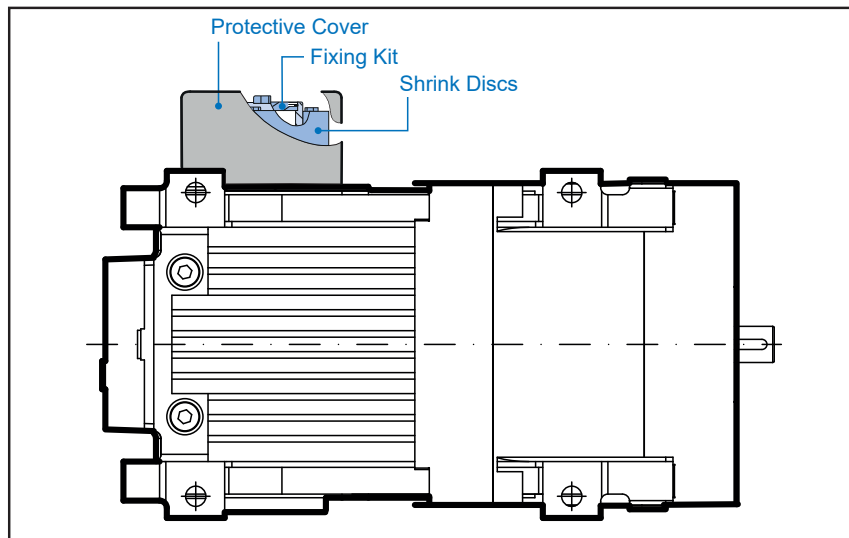
For gearbox versions with a hollow output shaft, the use of a shrink disc is advised. The customer's shaft length that may be inserted into the hollow shaft of the gearbox can be found ⇒ 50-51.

Customer shaft
 - Material
 - Minimum yield strength R_e

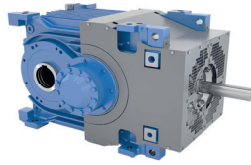
The diameter of the customer shaft should be according to ISO standard g6 ($dk > 160\text{mm}$) & h6 ($dk \leq 160\text{mm}$). The material of the customer's insert must have a yield strength (R_e) of at least: **52,260 psi (360 N/mm²)**. Due to the clamping force, this will ensure that no permanent deformation occurs.

T_{2max} = Maximum permissible drive torque

s = Safety factor of the shrink disc for fit class g6 or h6 with T_{2max}



Gear Units	Size	Shrink disc			Clamping screw Number x Size
		T_{2max} [Nm]	T_{2max} [lb-in]	s	
SK 5217 ASH	130	15.000	132800	2,4	14 x M12
SK 6217 ASH	130	20.000	177000	1,8	14 x M12
SK 7217 ASH	160	27.000	239000	2,0	12 x M16
SK 8217 ASH	160	31.000	274400	1,9	12 x M16
SK 9217 ASH	190	46.000	407100	2,3	16 x M16
SK 10217 ASH	190	53.000	469100	1,9	16 x M16
SK 11217 ASH	220	77.000	681500	2,3	16 x M20



Hollow Shaft with Shrink disc (AS)

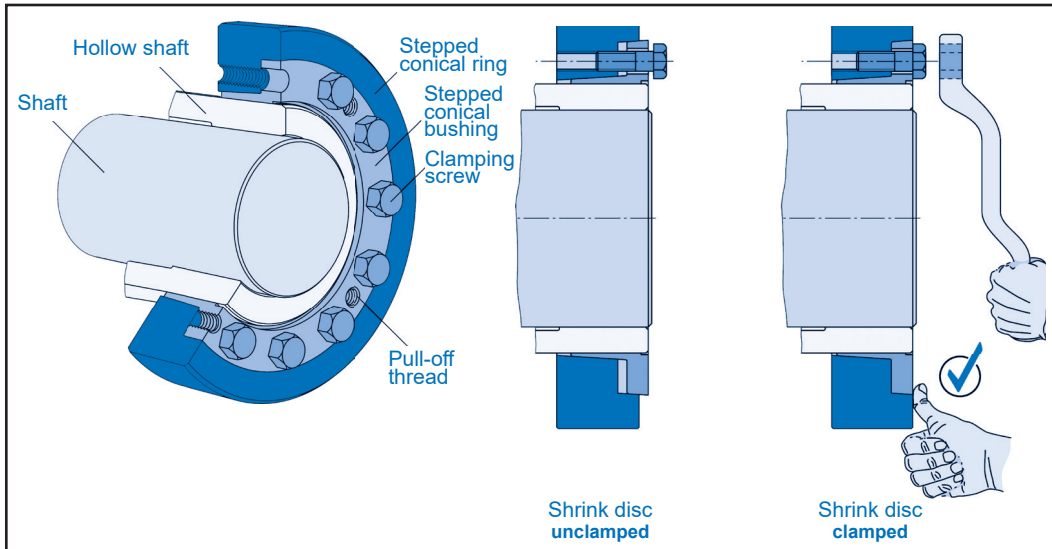
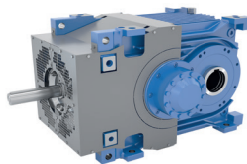


Image source: Fa. RINGSPANN GmbH

Shaft Cover / IP66 Shaft Cover (H/H66)

The Shaft cover provides protection from rotating parts and the shrink disc when applicable.

The IP66 shaft cover provides the same protection from the shrink disc and rotating parts as well as being rated IP 66, which means that it is dust tight and capable of protecting against high pressure water jets.



Backstops (R)

Optional backstops, which allow rotation in only one direction and block the other direction of rotation may be supplied. All backstops are mounted externally and are able to be changed without disassembly of the gear unit.

The lubrication of the backstop is provided by the oil from the gear reducer. The backstops lift off due to centrifugal force above a certain lift-off speed (see table) and are then free of friction.

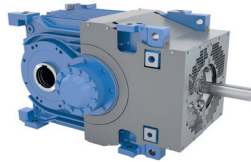
Gear Units	Nominal Ratio i_N	Nominal Input Speed n_1 [rpm]
SK 5217	6,3 - 9	500
	10 - 14	810
	16 - 22,4	1309
SK 6217	6,3 - 9	500
	10 - 14	810
	16 - 22,4	1309
SK 7217	6,3 - 9	452
	10 - 14	698
	16 - 18	1136
SK 8217	6,3 - 9	452
	10 - 14	698
	16 - 20	1136
SK 9217	6,3 - 9	353
	10 - 14	545
	16 - 18	888
SK 10217	6,3 - 9	353
	10 - 14	545
	16 - 18	888
SK 11217	7,1 - 9	353
	10 - 14	545
	16 - 22,4	888



IMPORTANT NOTE



Please contact NORD if the motor input speed is greater than 1800 rpm or less than 1000 rpm.

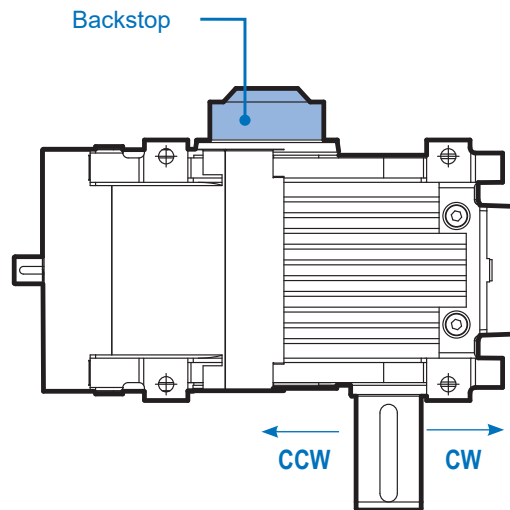


Backstops (R) (rotation)

When ordering the backstop option, the direction of rotation must be specified. The direction of rotation is based upon looking directly at the drive shaft and specifying which direction you want it to turn.

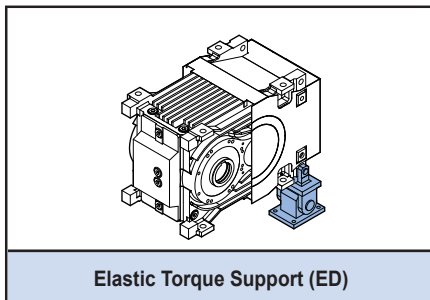
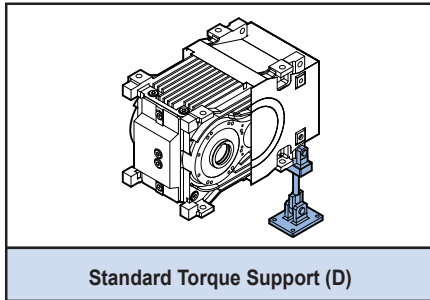
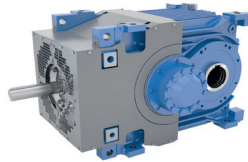
- CW = Clockwise direction of rotation, Right-hand rotation
- CCW = Counterclockwise direction of rotation, Left-hand rotation

The position of the output shaft and the side on which the backstop is installed determine the direction of rotation. The direction of view for declaring the rotation direction is always towards the output shaft that is being specified.



	IMPORTANT NOTE	
<p>The backstops are designed for 1.8 times the rated gearbox torque (T_{2max}) with reference to the output shaft. If greater safety ratings are required, please consult NORD.</p>		

	IMPORTANT NOTE	
<p>Danger of failure and destruction. Check the direction of rotation of the motor and the gearbox before starting up your application. Arrows on the gearbox indicate the direction of rotation.</p>		



Torque Support (D) (ED)

For shaft mounted versions of our hollow shaft gearboxes, torque supports are available. In addition to a simple torque support (D), NORD DRIVESYSTEMS offers a torque support with an integral elastic bushing (ED), which has better damping characteristics (vibration damping).

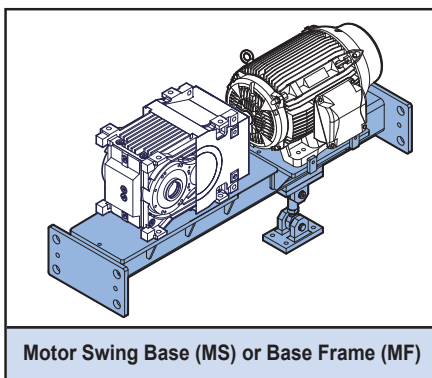
The torque support should be assembled on the machinery side, in order to keep the bending moment on the machinery shaft low. Loading under tension or compression and installation upwards or downwards are permissible. The torque support may only be installed closest to the input side, otherwise the permissible loading of the gear unit will be exceeded.

Preloading the torque support during installation or operation must be avoided, otherwise the life-span of the drive shaft bearings may be reduced. Torque supports are not suitable for the transmission of radial forces, therefore may only be used in direct-coupled applications that cannot transmit the specified radial forces.

⚠ WARNING ⚠

The output torque must be limited to the values shown in the table below. If greater torque ratings are necessary, please consult NORD.

Gear units	M _{2max} [kNm]		M _{2max} [lb-in x 1000]	
	Typ D	Typ ED	Typ D	Typ ED
SK 5217	15	15	132,76	132,76
SK 6217	20	20	177,02	177,02
SK 7217	25	25	221,27	221,27
SK 8217	30	30	265,52	265,52
SK 9217	40	40	354,03	354,03
SK 10217	50	50	442,54	442,54
SK 11217	75	75	663,81	663,81



Motor Swing Base (MS)

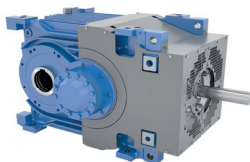
The motor swing base is designed specifically for use with right-angle shaft mounted gear unit where the gearbox and motor are mounted on a common base frame. The torque is taken up via torque support or torque reaction arm.

Optional components (can be combined):

- Elastic coupling, fluid coupling
- Drum brake, disc brake
- Axial fan
- Auxiliary drive
(with freewheel coupling, backstop, motor brake, etc.)
- Torque support, attachment plate

Motor Base Frame (MF)

Motor base frames (or motor bases) are similar to a motor swing base except the entire base frame is intended to be foot mounted to the supporting machine structure.



Swing Base with Brake (MS.B) Base Frame with Brake (MF.B)

A motor swing base or base frame can be supplied with an optional disc or drum brakes installed between the motor and the gear unit.

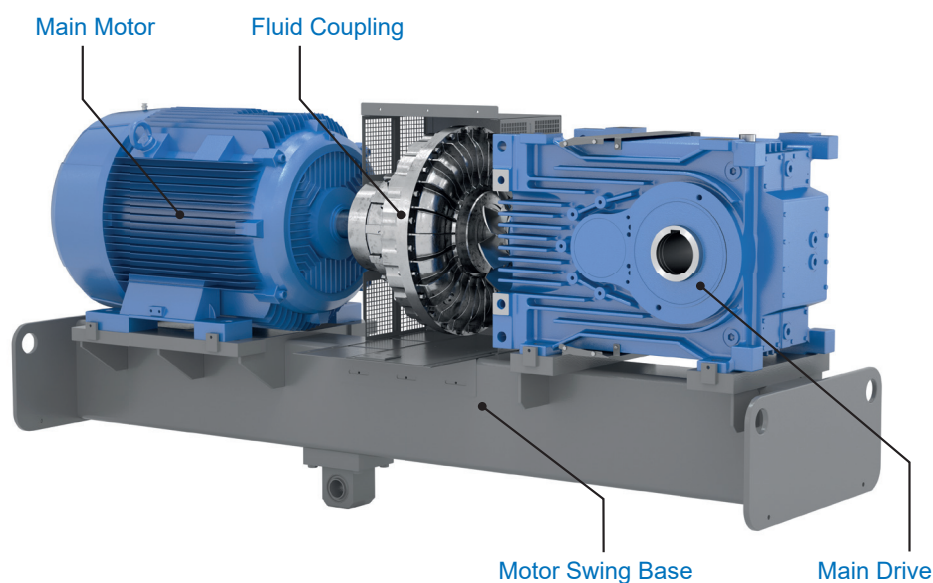
For applications with a relatively high external moment of inertia ($m_{af} > 2$), as often the case with travelling drives, slewing gear, turntables, gate drives, agitators and surface ventilators, it is recommended that a brake torque be selected that is no greater than 1.2 times the nominal torque of the motor.

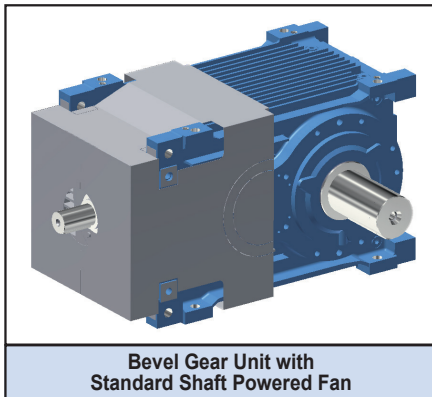
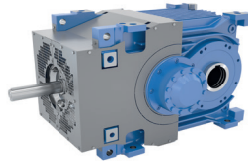
When a higher brake torque is required this must be considered in the selection of the gear unit. Please consult NORD DRIVESYSTEMS. Also contact NORD DRIVESYSTEMS if an output-side brake is necessary.

Motor Swing Base and Motor Base Options (MSK, MST, MFK, MFT)

Both the motor swing base and the motor base are commonly supplied with either an elastic input coupling or a fluid coupling. In addition, many drive packages require a brake between the motor and the input-side of the reducer. The most common motor swing base or motor base options may be specified as follows:

Description	Option Code
Swing base with elastic coupling	MSK
Motor base with elastic coupling	MFK
Swing base with elastic coupling and brake	MSKB
Motor base with elastic coupling and brake	MFKB
Swing base with fluid coupling	MST
Motor base with fluid coupling	MFT
Swing base with fluid coupling and brake	MSTB
Motor base with fluid coupling and brake	MFTB





standard

- very powerful,
integrated axial fan
including cover

huge cooling effect

- in one turning direction only

The direction of rotation when ordering!

Gearbox Cooling Using a Fan (FAN)

Through the use of fans, the thermal power capacity of the gearbox may be increased substantially. The fan cover provides protection against contact and guides the flow of cooling air over the gearbox housing.

The MAXXDRIVE XT gearbox is equipped as standard with a very powerful, integrated axial fan including cover.

This axial fan is directly connected to the input shaft of bevel-helical gearbox. During operation it provides an enormous air flow.

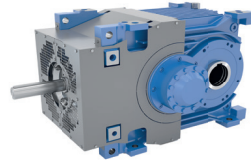
In combination with fan cover and thermal optimized gearbox housing an extraordinary cooling power will be created for MAXXDRIVE XT gear units.

The intake of air may be supplied in a radial direction which allows a brake or a fluid-coupling to be installed directly in front of the fan (see motor swing bases).

The huge cooling effect can be created in one turning direction only, therefore the direction of the rotation must be specified when ordering the unit. Further information is available upon request.

Installation conditions for fans

An adequate supply of air to the fan must be ensured, the vent grill in the fan cover must be kept clear.



Structure of the Power Ratings Tables

Nominal Input Speed
The actual motor speeds depend on the size of the motor, and may differ

Nominal Output Speed
The Nominal Input Speed divided by the Nominal Ratio

Size of Gear Unit

Nominal Ratio	Nominal Input Speed	Nominal Output Speed	Rated Power						
			SK 5217	SK 6217	SK 7217	SK 8217	SK 9217	SK 10217	SK 11217
i_N	n_{1N} [rpm]	n_{2N} [rpm]	P_N [kW]	P_N [kW]	P_N [kW]	P_N [kW]	P_N [kW]	P_N [kW]	P_N [kW]
8	1000	125	197	278	334	387	529	645	981
	1500	188	296	416	502	581	794	968	1.472
	1200	150	236	333	401	465	635	774	1.177
	1800	225	355	500	602	697	952	1.162	1.766

Nominal Ratio
Sized according to Standard Series

Nominal Output Power
with Service Factor (f_B) = 1,0

Structure of the Torque Rating Tables

Size of Gear Unit

Nominal Ratio	Output Torque						
	SK 5217	SK 6217	SK 7217	SK 8217	SK 9217	SK 10217	SK 11217
i_N	M_{2max} [kNm]	M_{2max} [kNm]	M_{2max} [kNm]	M_{2max} [kNm]	M_{2max} [kNm]	M_{2max} [kNm]	M_{2max} [kNm]
16	14	19	25	28	40	50	75
18	15	19	25	30	40	50	75

Nominal Ratio
Sized according to Standard Series

Nominal Output Torque
with Service Factor (f_B) = 1,0

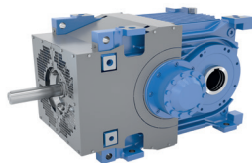
Structure of the Inertia Tables

Size of Gear Unit

Nominal Ratio	Moments of Inertia						
	SK 5217	SK 6217	SK 7217	SK 8217	SK 9217	SK 10217	SK 11217
i_N	j_1 kgm ²	j_1 kgm ²	j_1 kgm ²	j_1 kgm ²	j_1 kgm ²	j_1 kgm ²	j_1 kgm ²
16	0,022	0,026	0,038	0,045	0,086	0,135	0,265
18	0,021	0,025	0,037	0,041	0,082	0,128	0,259

Nominal Ratio
Sized according to Standard Series

Moment of Inertia
Relative to the Input Shaft



Structure of the Exact Ratio Tables

Nominal Ratio	Size of Gear Unit						
	SK 5217	SK 6217	SK 7217	SK 8217	SK 9217	SK 10217	SK 11217
i_N	Exact Ratio						
	i_{ges}	i_{ges}	i_{ges}	i_{ges}	i_{ges}	i_{ges}	i_{ges}
16	16,16	16,19	16,06	15,86	16,18	15,76	16,84
18	18,41	18,31	17,94	17,94	18,14	18,17	18,44

Nominal Ratio
 Sized according to Standard Series

Exact Ratio

Structure of the Thermal Rating Tables

1) 2) see explanation below

Nominal Ratio	Cooling Type	Size of Gear Unit							
		SK 5217	SK 6217	SK 7217	SK 8217	SK 9217	SK 10217	SK 11217	
i_N		Thermal Power							
		P_N [kW]	P_N [kW]	P_N [kW]	P_N [kW]	P_N [kW]	P_N [kW]	P_N [kW]	
8	---	$P_{t0.20}$	---	---	---	---	---	---	
	FAN	$P_{tF.20}$	327	403	484	476	607	882	976
	CC	$P_{tC.20}$	---	---	---	---	---	---	---

Nominal Ratio
 Sized according to Standard Series

Cooling Type
 --- : No Additional Cooling
 FAN : Integrated Fan Cooling
 CC : Integrated Water Cooling

Thermal Power Limit ^{1) 2)}
 Without any additional thermal cooling at Ambient Temp.

Additional Thermal Power Limit ^{1) 2)}
 With Integrated fan at Ambient Temperature with nominal speed

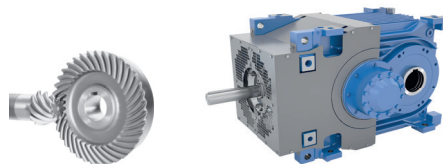
Additional Thermal Power Limit
 With Integrated Water Cooling at Ambient Temperature

1) Standard ambient conditions

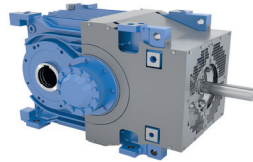
Ambient temperature:	20°C (68°F) oder 40°C (104°F)
Air circulation at installation location:	large hall with good air circulation ($v_L = 4,92$ ft/s or 1,5 m/s)
Installation:	Foundation steel sub-construction
Installation altitude:	≤ 1000 m (3280 ft) über NN
Installation position:	Horizontal installation (M1)
Type of lubrication:	Immersion lubrication Oel splash lubrication with synthetic oil PAO ISO VG 220
Cooling water inlet temperature	20°C (68°F) oder 40°C (104°F)

2) For Ratings at different temperatures please contact NORD DRIVESYSTEMS.

Nominal Power Ratings



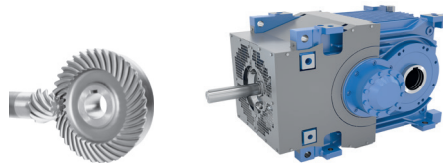
Nominal Ratio	Nominal Input Speed n_{1N} [rpm]	Nominal Output Speed n_{2N} [rpm]	SK 5217	SK 6217	SK 7217	SK 8217	SK 9217	SK 10217	SK 11217
			Rated Power						
i_N			P_N [kW]	P_N [kW]	P_N [kW]	P_N [kW]	P_N [kW]	P_N [kW]	P_N [kW]
6.3	1000	159	256	271	411	444	652	790	1.175
	1500	238	383	406	616	666	978	1.185	1.762
	1200	190	307	325	493	533	783	948	1.410
	1800	286	460	487	739	799	1.174	1.422	2.115
7.1	1000	141	224	268	368	416	582	726	1.073
	1500	211	337	402	552	624	872	1.089	1.610
	1200	169	269	321	441	499	698	871	1.288
	1800	254	404	482	662	749	1.047	1.307	1.932
8	1000	125	197	278	334	387	529	645	981
	1500	188	296	416	502	581	794	968	1.472
	1200	150	236	333	401	465	635	774	1.177
	1800	225	355	500	602	697	952	1.162	1.766
9	1000	111	180	245	289	364	481	589	810
	1500	167	270	367	434	547	721	884	1.215
	1200	133	216	294	347	437	577	707	972
	1800	200	325	441	521	656	866	1.061	1.459
10	1000	100	157	209	266	323	399	511	760
	1500	150	235	313	398	484	598	766	1.139
	1200	120	188	251	319	387	478	613	912
	1800	180	283	376	478	581	717	920	1.367
11.2	1000	89	138	175	238	285	376	469	694
	1500	134	207	262	357	428	564	704	1.041
	1200	107	165	209	285	342	451	563	833
	1800	161	248	314	428	514	677	845	1.249
12.5	1000	80	121	161	216	250	342	417	634
	1500	120	181	242	324	376	513	626	952
	1200	96	145	193	259	300	411	501	761
	1800	144	218	290	389	451	616	751	1.142
14	1000	71	111	142	187	222	311	381	524
	1500	107	166	213	281	333	467	572	786
	1200	86	133	170	225	267	373	457	629
	1800	129	199	256	337	400	560	686	943
16	1000	63	92	122	163	187	259	332	466
	1500	94	138	183	245	280	388	498	699
	1200	75	110	147	196	224	311	399	560
	1800	113	166	220	293	336	466	598	839
18	1000	56	85	108	146	175	231	288	426
	1500	83	128	162	219	263	346	432	639
	1200	67	102	130	175	210	277	346	511
	1800	100	154	195	263	315	416	519	767
20	1000	50	75	94	---	154	---	---	389
	1500	75	112	141	---	231	---	---	584
	1200	60	90	113	---	184	---	---	467
	1800	90	135	169	---	277	---	---	701
22,4	1000	45	69	88	---	---	---	---	322
	1500	67	103	132	---	---	---	---	482
	1200	54	82	106	---	---	---	---	386
	1800	80	123	158	---	---	---	---	579



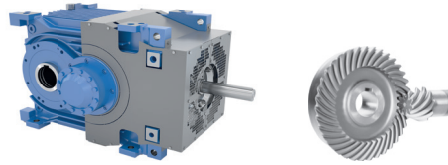
Nominal Output Torques

Nominal Ratio	SK 5217	SK 6217	SK 7217	SK 8217	SK 9217	SK 10217	SK 11217
	Output Torque						
i_N	M _{2max} [kNm]	M _{2max} [kNm]	M _{2max} [kNm]	M _{2max} [kNm]	M _{2max} [kNm]	M _{2max} [kNm]	M _{2max} [kNm]
6,3	15	16	25	27	40	47	75
7,1	15	18	25	28	40	50	75
8	15	20	25	30	40	50	75
9	15	20	24	30	40	50	67
10	15	20	25	30	38	47	75
11,2	15	19	25	30	40	50	75
12,5	15	19	25	30	40	50	75
14	15	19	24	28	40	50	67
16	14	19	25	28	40	50	75
18	15	19	25	30	40	50	75
20	15	18	---	30	---	---	75
22,4	15	19	---	---	---	---	67

Moments of Inertia



Nominal Ratio	SK 5217	SK 6217	SK 7217	SK 8217	SK 9217	SK 10217	SK 11217
i_N	Moments of Inertia						
	j_1 kgm ²	j_1 kgm ²	j_1 kgm ²	j_1 kgm ²	j_1 kgm ²	j_1 kgm ²	j_1 kgm ²
6,3	0,103	0,135	0,260	0,302	0,529	0,841	1,710
7,1	0,097	0,126	0,253	0,279	0,504	0,794	1,680
8	0,091	0,119	0,244	0,276	0,485	0,751	1,640
9	0,089	0,110	0,239	0,260	0,466	0,732	1,610
10	0,036	0,048	0,115	0,132	0,208	0,276	0,569
11,2	0,034	0,045	0,112	0,123	0,197	0,256	0,553
12,5	0,032	0,042	0,108	0,121	0,189	0,239	0,539
14	0,031	0,039	0,106	0,115	0,181	0,231	0,525
16	0,022	0,026	0,038	0,045	0,086	0,135	0,265
18	0,021	0,025	0,037	0,041	0,082	0,128	0,259
20	0,020	0,024	---	0,041	---	---	0,254
22,4	0,019	0,023	---	---	---	---	0,248

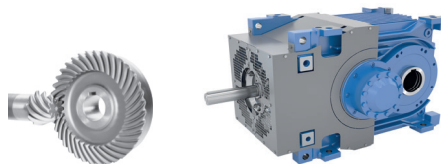


Nominal Ratio	SK 5217	SK 6217	SK 7217	SK 8217	SK 9217	SK 10217	SK 11217
	Exact Ratio						
i_N	i_{ges}	i_{ges}	i_{ges}	i_{ges}	i_{ges}	i_{ges}	i_{ges}
6,3	6,14	6,15	6,37	6,30	6,42	6,26	6,69
7,1	7,00	6,96	7,12	7,12	7,20	7,21	7,32
8	7,97	7,54	7,83	8,11	7,92	8,11	8,00
9	8,71	8,56	8,54	8,62	8,71	8,88	8,63
10	10,01	10,02	9,86	9,74	9,93	9,67	10,34
11,2	11,40	11,34	11,01	11,01	11,14	11,15	11,32
12,5	12,98	12,29	12,11	12,55	12,24	12,55	12,38
14	14,19	13,93	13,20	13,33	13,47	13,74	13,35
16	16,16	16,19	16,06	15,86	16,18	15,76	16,84
18	18,41	18,31	17,94	17,94	18,14	18,17	18,44
20	20,97	19,84	---	20,44	---	---	20,16
22,4	22,91	22,50	---	---	---	---	21,75

Thermal Rating

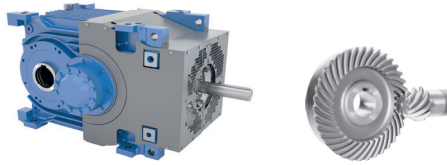
M1 Mounting - 1000 rpm

@ 20°C = 68°F



Nominal Ratio	Cooling Type		SK 5217	SK 6217	SK 7217	SK 8217	SK 9217	SK 10217	SK 11217
			Thermal Power						
i_N			P_N [kW]	P_N [kW]	P_N [kW]	P_N [kW]	P_N [kW]	P_N [kW]	P_N [kW]
6,3	FAN	PtF.20	283	357	415	483	518	769	883
	CC*	PtC.20	---	---	---	---	---	---	---
7,1	FAN	PtF.20	271	375	387	460	526	714	830
	CC*	PtC.20	---	---	---	---	---	---	---
8	FAN	PtF.20	262	324	384	391	496	720	822
	CC*	PtC.20	---	---	---	---	---	---	---
9	FAN	PtF.20	249	311	358	435	478	670	784
	CC*	PtC.20	---	---	---	---	---	---	---
10	FAN	PtF.20	227	284	336	388	387	603	744
	CC*	PtC.20	---	---	---	---	---	---	---
11,2	FAN	PtF.20	217	295	312	371	391	567	705
	CC*	PtC.20	---	---	---	---	---	---	---
12,5	FAN	PtF.20	209	259	312	318	373	569	698
	CC*	PtC.20	---	---	---	---	---	---	---
14	FAN	PtF.20	200	248	293	351	361	535	669
	CC*	PtC.20	---	---	---	---	---	---	---
16	FAN	PtF.20	162	199	235	269	314	462	570
	CC*	PtC.20	---	---	---	---	---	---	---
18	FAN	PtF.20	156	204	220	259	316	437	543
	CC*	PtC.20	---	---	---	---	---	---	---
20	FAN	PtF.20	151	184	---	227	---	---	538
	CC*	PtC.20	---	---	---	---	---	---	---
22,4	FAN	PtF.20	145	178	---	---	---	---	519
	CC*	PtC.20	---	---	---	---	---	---	---

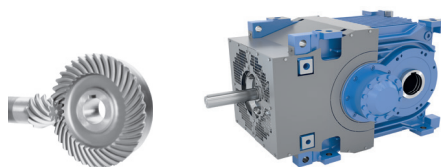
* on request



Nominal Ratio	Cooling Type		SK 5217	SK 6217	SK 7217	SK 8217	SK 9217	SK 10217	SK 11217
			Thermal Power						
i_N			P_N [kW]	P_N [kW]	P_N [kW]	P_N [kW]	P_N [kW]	P_N [kW]	P_N [kW]
6,3	FAN	PtF.40	244	308	355	414	429	644	729
	CC*	PtC.20	---	---	---	---	---	---	---
7,1	FAN	PtF.40	234	324	332	395	436	600	687
	CC*	PtC.20	---	---	---	---	---	---	---
8	FAN	PtF.40	226	280	329	336	412	605	681
	CC*	PtC.20	---	---	---	---	---	---	---
9	FAN	PtF.40	215	269	307	374	397	564	651
	CC*	PtC.20	---	---	---	---	---	---	---
10	FAN	PtF.40	197	247	291	336	324	514	632
	CC*	PtC.20	---	---	---	---	---	---	---
11,2	FAN	PtF.40	189	257	271	321	328	483	599
	CC*	PtC.20	---	---	---	---	---	---	---
12,5	FAN	PtF.40	182	225	270	276	313	486	593
	CC*	PtC.20	---	---	---	---	---	---	---
14	FAN	PtF.40	174	216	253	304	303	457	569
	CC*	PtC.20	---	---	---	---	---	---	---
16	FAN	PtF.40	141	174	205	234	267	395	487
	CC*	PtC.20	---	---	---	---	---	---	---
18	FAN	PtF.40	136	178	192	225	269	374	464
	CC*	PtC.20	---	---	---	---	---	---	---
20	FAN	PtF.40	132	161	---	198	---	---	460
	CC*	PtC.20	---	---	---	---	---	---	---
22,4	FAN	PtF.40	127	155	---	---	---	---	444
	CC*	PtC.20	---	---	---	---	---	---	---

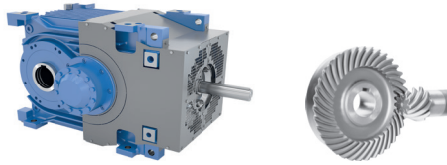
* on request

Thermal Rating M1 Mounting - 1200 rpm @ 20°C = 68°F



Nominal Ratio i_N	Cooling Type		SK 5217	SK 6217	SK 7217	SK 8217	SK 9217	SK 10217	SK 11217
			Thermal Power						
			P_N [kW]	P_N [kW]	P_N [kW]	P_N [kW]	P_N [kW]	P_N [kW]	P_N [kW]
6,3	FAN	PtF.20	312	394	452	525	536	806	901
	CC*	PtC.20	---	---	---	---	---	---	---
7,1	FAN	PtF.20	299	414	423	502	545	752	850
	CC*	PtC.20	---	---	---	---	---	---	---
8	FAN	PtF.20	289	358	419	428	517	759	843
	CC*	PtC.20	---	---	---	---	---	---	---
9	FAN	PtF.20	275	344	391	475	498	708	806
	CC*	PtC.20	---	---	---	---	---	---	---
10	FAN	PtF.20	253	317	372	430	410	652	797
	CC*	PtC.20	---	---	---	---	---	---	---
11,2	FAN	PtF.20	243	329	347	410	414	613	756
	CC*	PtC.20	---	---	---	---	---	---	---
12,5	FAN	PtF.20	234	289	346	353	396	616	749
	CC*	PtC.20	---	---	---	---	---	---	---
14	FAN	PtF.20	223	277	325	389	384	580	719
	CC*	PtC.20	---	---	---	---	---	---	---
16	FAN	PtF.20	181	222	262	299	340	503	617
	CC*	PtC.20	---	---	---	---	---	---	---
18	FAN	PtF.20	175	228	246	288	343	476	589
	CC*	PtC.20	---	---	---	---	---	---	---
20	FAN	PtF.20	169	206	---	254	---	---	583
	CC*	PtC.20	---	---	---	---	---	---	---
22,4	FAN	PtF.20	163	199	---	---	---	---	563
	CC*	PtC.20	---	---	---	---	---	---	---

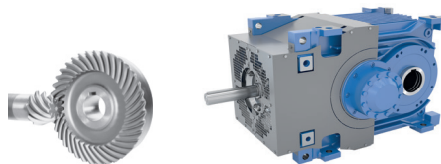
* on request



Nominal Ratio	Cooling Type		SK 5217	SK 6217	SK 7217	SK 8217	SK 9217	SK 10217	SK 11217
			Thermal Power						
i_N			P_N [kW]	P_N [kW]	P_N [kW]	P_N [kW]	P_N [kW]	P_N [kW]	P_N [kW]
6,3	FAN	PtF.40	266	337	383	446	437	665	728
	CC*	PtC.20	---	---	---	---	---	---	---
7,1	FAN	PtF.40	256	356	360	427	445	622	688
	CC*	PtC.20	---	---	---	---	---	---	---
8	FAN	PtF.40	248	307	357	365	422	629	684
	CC*	PtC.20	---	---	---	---	---	---	---
9	FAN	PtF.40	236	296	332	406	408	588	655
	CC*	PtC.20	---	---	---	---	---	---	---
10	FAN	PtF.40	219	274	320	370	341	552	671
	CC*	PtC.20	---	---	---	---	---	---	---
11,2	FAN	PtF.40	210	286	300	354	344	520	637
	CC*	PtC.20	---	---	---	---	---	---	---
12,5	FAN	PtF.40	203	250	299	305	330	523	631
	CC*	PtC.20	---	---	---	---	---	---	---
14	FAN	PtF.40	193	240	280	336	320	493	606
	CC*	PtC.20	---	---	---	---	---	---	---
16	FAN	PtF.40	158	194	227	259	288	429	524
	CC*	PtC.20	---	---	---	---	---	---	---
18	FAN	PtF.40	152	199	214	250	290	406	501
	CC*	PtC.20	---	---	---	---	---	---	---
20	FAN	PtF.40	148	180	---	220	---	---	496
	CC*	PtC.20	---	---	---	---	---	---	---
22,4	FAN	PtF.40	142	174	---	---	---	---	479
	CC*	PtC.20	---	---	---	---	---	---	---

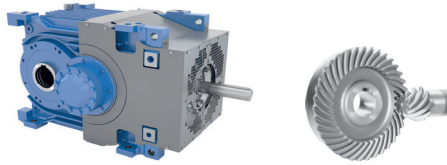
* on request

Thermal Rating M1 Mounting - 1500 rpm @ 20°C = 68°F



Nominal Ratio	Cooling Type		SK 5217	SK 6217	SK 7217	SK 8217	SK 9217	SK 10217	SK 11217
			Thermal Power						
i_N			P_N [kW]	P_N [kW]	P_N [kW]	P_N [kW]	P_N [kW]	P_N [kW]	P_N [kW]
6,3	FAN	PtF.20	347	439	493	574	541	829	877
	CC*	PtC.20	---	---	---	---	---	---	---
7,1	FAN	PtF.20	334	464	465	550	553	778	832
	CC*	PtC.20	---	---	---	---	---	---	---
8	FAN	PtF.20	324	401	460	471	526	788	829
	CC*	PtC.20	---	---	---	---	---	---	---
9	FAN	PtF.20	308	386	429	523	509	738	795
	CC*	PtC.20	---	---	---	---	---	---	---
10	FAN	PtF.20	288	361	419	483	434	710	855
	CC*	PtC.20	---	---	---	---	---	---	---
11,2	FAN	PtF.20	276	376	392	462	439	669	812
	CC*	PtC.20	---	---	---	---	---	---	---
12,5	FAN	PtF.20	267	329	391	399	420	673	806
	CC*	PtC.20	---	---	---	---	---	---	---
14	FAN	PtF.20	255	317	366	439	409	635	774
	CC*	PtC.20	---	---	---	---	---	---	---
16	FAN	PtF.20	208	254	299	340	373	555	675
	CC*	PtC.20	---	---	---	---	---	---	---
18	FAN	PtF.20	200	262	281	328	376	526	645
	CC*	PtC.20	---	---	---	---	---	---	---
20	FAN	PtF.20	194	236	---	290	---	---	639
	CC*	PtC.20	---	---	---	---	---	---	---
22,4	FAN	PtF.20	187	228	---	---	---	---	617
	CC*	PtC.20	---	---	---	---	---	---	---

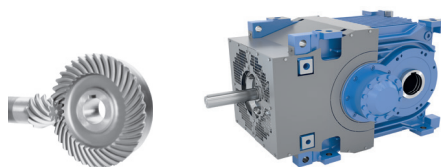
* on request



Nominal Ratio	Cooling Type		SK 5217	SK 6217	SK 7217	SK 8217	SK 9217	SK 10217	SK 11217
			Thermal Power						
i_N			P_N [kW]	P_N [kW]	P_N [kW]	P_N [kW]	P_N [kW]	P_N [kW]	P_N [kW]
6,3	FAN	PtF.40	294	372	412	481	426	664	674
	CC*	PtC.20	---	---	---	---	---	---	---
7,1	FAN	PtF.40	283	395	390	462	436	627	642
	CC*	PtC.20	---	---	---	---	---	---	---
8	FAN	PtF.40	275	341	386	397	417	637	642
	CC*	PtC.20	---	---	---	---	---	---	---
9	FAN	PtF.40	262	329	360	441	405	598	617
	CC*	PtC.20	---	---	---	---	---	---	---
10	FAN	PtF.40	247	310	358	413	354	595	710
	CC*	PtC.20	---	---	---	---	---	---	---
11,2	FAN	PtF.40	238	324	336	396	359	562	675
	CC*	PtC.20	---	---	---	---	---	---	---
12,5	FAN	PtF.40	230	284	334	342	345	566	670
	CC*	PtC.20	---	---	---	---	---	---	---
14	FAN	PtF.40	220	273	313	377	335	534	644
	CC*	PtC.20	---	---	---	---	---	---	---
16	FAN	PtF.40	180	220	257	293	314	469	569
	CC*	PtC.20	---	---	---	---	---	---	---
18	FAN	PtF.40	174	227	243	283	317	445	543
	CC*	PtC.20	---	---	---	---	---	---	---
20	FAN	PtF.40	169	205	---	251	---	---	539
	CC*	PtC.20	---	---	---	---	---	---	---
22,4	FAN	PtF.40	162	198	---	---	---	---	520
	CC	PtC.20	---	---	---	---	---	---	---

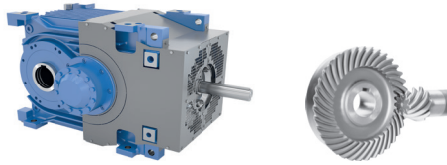
* on request

Thermal Rating M1 Mounting - 1800 rpm @ 20°C = 68°F



Nominal Ratio	Cooling Type		SK 5217	SK 6217	SK 7217	SK 8217	SK 9217	SK 10217	SK 11217
			Thermal Power						
i_N			P_N [kW]	P_N [kW]	P_N [kW]	P_N [kW]	P_N [kW]	P_N [kW]	P_N [kW]
6,3	FAN	PtF.20	375	474	519	605	520	812	791
	CC*	PtC.20	---	---	---	---	---	---	---
7,1	FAN	PtF.20	361	503	492	582	534	770	757
	CC*	PtC.20	---	---	---	---	---	---	---
8	FAN	PtF.20	351	435	487	502	512	783	760
	CC*	PtC.20	---	---	---	---	---	---	---
9	FAN	PtF.20	334	420	455	557	498	737	732
	CC*	PtC.20	---	---	---	---	---	---	---
10	FAN	PtF.20	318	399	457	527	445	752	890
	CC*	PtC.20	---	---	---	---	---	---	---
11,2	FAN	PtF.20	306	417	430	505	451	711	847
	CC*	PtC.20	---	---	---	---	---	---	---
12,5	FAN	PtF.20	296	365	427	438	434	716	841
	CC*	PtC.20	---	---	---	---	---	---	---
14	FAN	PtF.20	283	351	401	481	422	677	809
	CC*	PtC.20	---	---	---	---	---	---	---
16	FAN	PtF.20	231	283	331	376	401	596	719
	CC*	PtC.20	---	---	---	---	---	---	---
18	FAN	PtF.20	223	292	313	363	404	566	688
	CC*	PtC.20	---	---	---	---	---	---	---
20	FAN	PtF.20	217	263	---	322	---	---	682
	CC*	PtC.20	---	---	---	---	---	---	---
22,4	FAN	PtF.20	208	255	---	---	---	---	659
	CC*	PtC.20	---	---	---	---	---	---	---

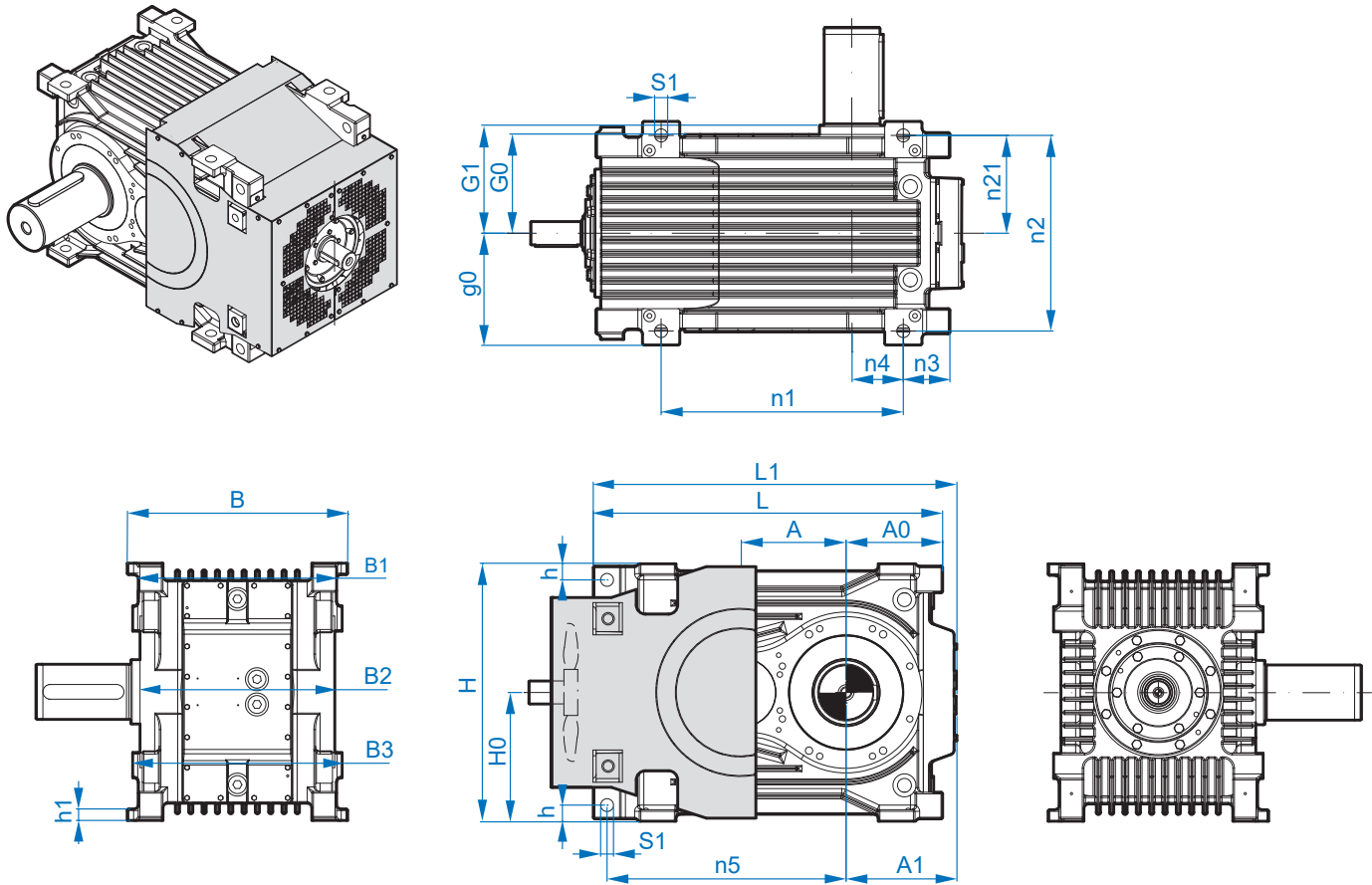
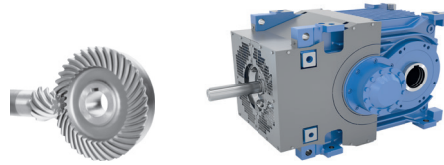
* on request



Nominal Ratio	Cooling Type		SK 5217	SK 6217	SK 7217	SK 8217	SK 9217	SK 10217	SK 11217
			Thermal Power						
i_N			P_N [kW]	P_N [kW]	P_N [kW]	P_N [kW]	P_N [kW]	P_N [kW]	P_N [kW]
6,3	FAN	PtF.40	313	397	425	498	389	624	553
	CC*	PtC.20	---	---	---	---	---	---	---
7,1	FAN	PtF.40	303	423	405	481	402	597	534
	CC*	PtC.20	---	---	---	---	---	---	---
8	FAN	PtF.40	294	366	401	416	388	611	542
	CC*	PtC.20	---	---	---	---	---	---	---
9	FAN	PtF.40	281	354	375	462	379	577	525
	CC*	PtC.20	---	---	---	---	---	---	---
10	FAN	PtF.40	272	342	387	447	357	622	726
	CC*	PtC.20	---	---	---	---	---	---	---
11,2	FAN	PtF.40	262	358	366	429	362	590	692
	CC*	PtC.20	---	---	---	---	---	---	---
12,5	FAN	PtF.40	254	313	363	373	349	595	688
	CC	PtC.20	---	---	---	---	---	---	---
14	FAN	PtF.40	242	301	340	410	340	563	663
	CC*	PtC.20	---	---	---	---	---	---	---
16	FAN	PtF.40	199	244	284	323	335	500	599
	CC*	PtC.20	---	---	---	---	---	---	---
18	FAN	PtF.40	192	252	269	312	338	475	573
	CC*	PtC.20	---	---	---	---	---	---	---
20	FAN	PtF.40	187	227	---	277	---	---	569
	CC*	PtC.20	---	---	---	---	---	---	---
22,4	FAN	PtF.40	180	220	---	---	---	---	550
	CC*	PtC.20	---	---	---	---	---	---	---

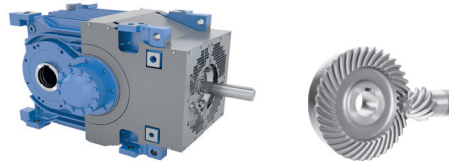
* on request

Overview Dimension

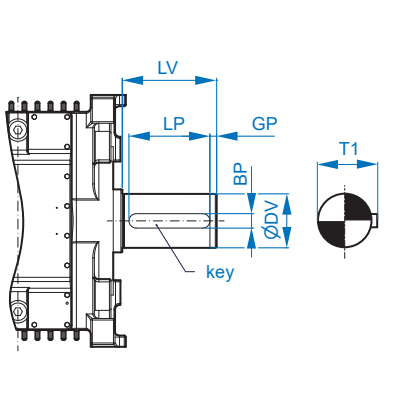


Gearbox	OVERALL DIMENSIONS																⇒
	A	A1	A0	g0	G0	G1	h	h1	H	H0	L	L1	B	B1	B2	B3	
SK 5217	228	239,5	210	240	216	232	35	25	560	280	760	790	480	432	424	456	36
SK 6217	268	270	260	240	216	232	35	30	630	315	850	860	480	432	424	456	38
SK 7217	270	275,5	267	260	241	273	35	35	630	315	912	921	520	482	495	520	40
SK 8217	294	291,5	283	260	241	273	35	35	670	335	952	961	520	482	495	520	42
SK 9217	325	321	330	318	303	344	55	45	720	360	1120	1111	636	606	605	620	44
SK 10217	358	337	352	318	303	343	55	45	790	395	1235	1220	636	606	605	620	46
SK 11217	384	371,5	366	393	378	410	46	55	830	415	1340	1346	786	710	700	770	48

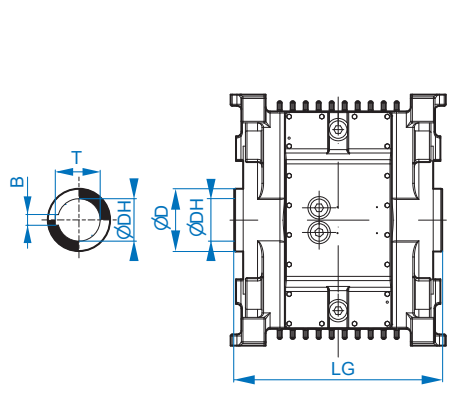
Gearbox	CENTER DISTANCE DIMENSIONS							⇒
	S1	n1	n2	n21	n3	n4	n5	
SK 5217	28	520	420	210	100	110	520	36
SK 6217	28	585	420	210	122,5	137,5	560	38
SK 7217	28	640	470	235	127	140	611	40
SK 8217	28	685	470	235	125	158	635	42
SK 9217	35	790	575	287,5	155	175	742,5	44
SK 10217	35	875	575	287,5	177	175	830,5	46
SK 11217	42	965	700	350	186	180	933	48



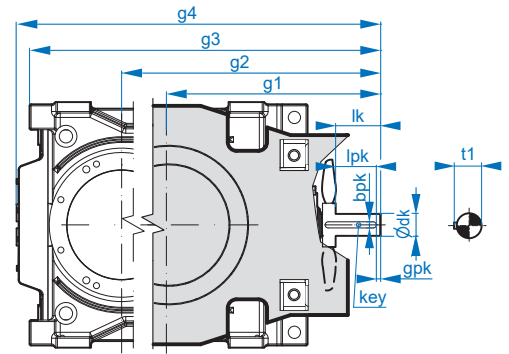
Solid Output Shaft



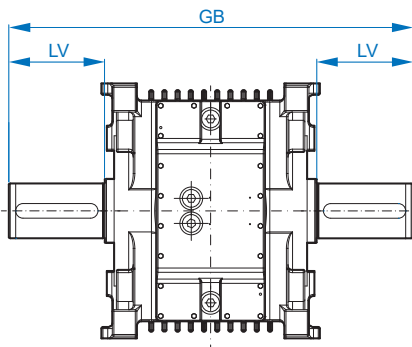
Hollow Shaft



Solid Input Shaft



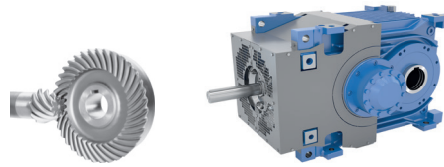
Double Solid Output Shaft



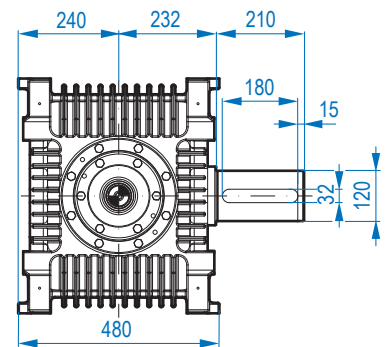
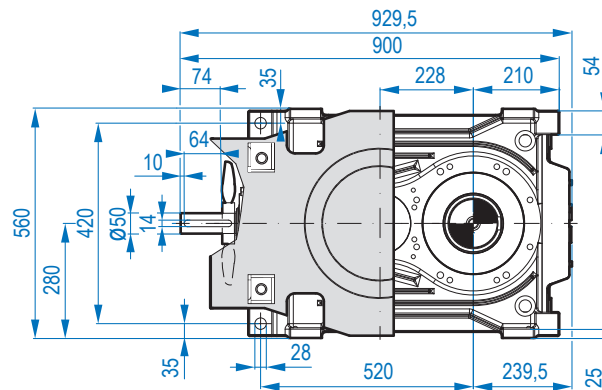
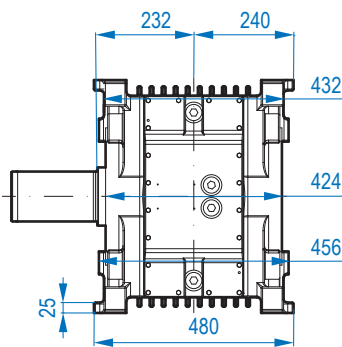
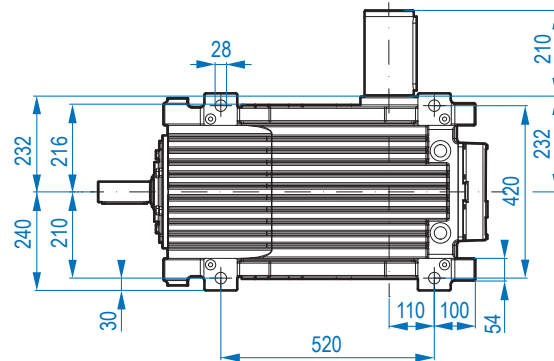
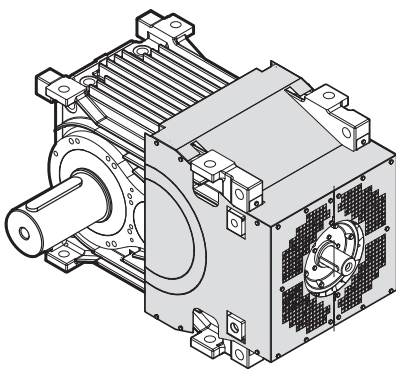
Gearbox	SOLID OUTPUT SHAFT							DOUBLE SOLID OUTPUT SHAFT		HOLLOW SHAFT					⇒
	ø DV	LV	LP	BP	GP	T1	Passfeder	LV	GB	ø D	ø DH ^{H7}	LG	B	T	
SK 5217	120	210	180	32	15	127	32 x 18 x 180	230	884	140	105	464	28	111,4	36
SK 6217	120	210	180	32	15	127	32 x 18 x 180	230	884	140	105	464	28	111,4	38
SK 7217	140	250	200	36	25	148	36 x 20 x 200	250	1045	160	125	545	32	132,4	40
SK 8217	140	250	200	36	25	148	36 x 20 x 200	250	1045	160	125	545	32	132,4	42
SK 9217	160	300	260	40	20	169	40 x 22 x 260	300	1286	220	160	686	40	169,4	44
SK 10217	160	300	260	40	20	169	40 x 22 x 260	300	1286	220	160	686	40	169,4	46
SK 11217	170	300	260	40	20	179	40 x 22 x 260	300	1420	230	170	820	40	179,4	48

Gearbox	SOLID INPUT SHAFT													⇒
	i _N	g1	g2	g3	g4	ø dk	lk	lpk	bpk	t1	gpk	Key		
SK 5217	6,14 - 22,91	462	690	900	929,5	50	74	64,0	14	53,5	10,0	14 x 9 x 90	36	
SK 6217	6,15 - 22,50	462	730	990	1000,0	50	74	64,0	14	53,5	10,0	14 x 9 x 90	38	
SK 7217	16,06 - 17,94 6,37 - 13,20	534 564	836	1101	1111,5	50 70	55 85	45,0 77,5	20	53,5	10,0 7,5	14 x 9 x 90	40	
SK 8217	15,86 - 20,44 6,30 - 13,33	536 566	860	1143	1151,5	50 70	55 85	45,0 77,5	20	53,5	10,0 7,5	20 x 12 x 125	42	
SK 9217	16,18 - 18,14 6,42 - 13,47	652 682	1006	1337	1320,0	70 80	91 121	83,5 106,0	22	85,0	7,5 15,0	22 x 14 x 140	44	
SK 10217	15,76 - 18,17 6,26 - 13,74	712 742	1070	1452	1407,0	70 80	91 121	83,5 106,0	22	85,0	7,5 15,0	22 x 14 x 140	46	
SK 11217	16,84 - 21,75 6,69 - 13,35	822 852	1236	1602	1607,5	80 100	135 170	120,0 155,0	28	85,0	15,0	28 x 16 x 180	48	

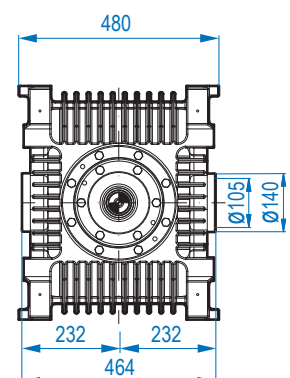
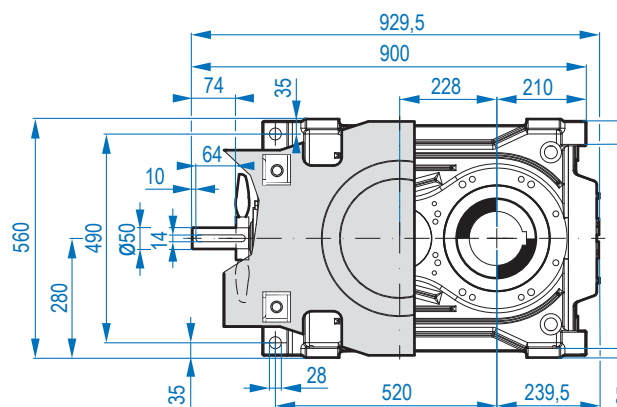
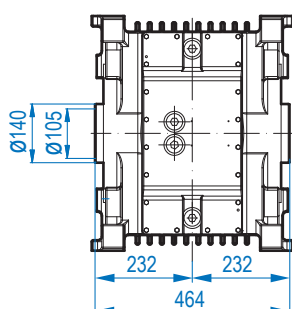
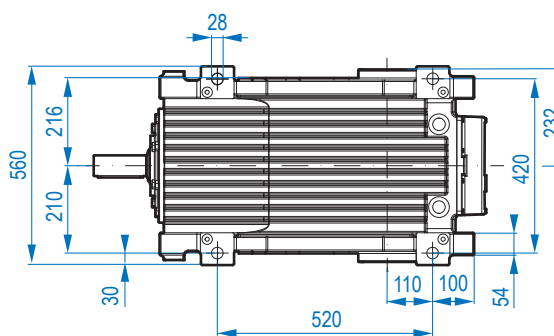
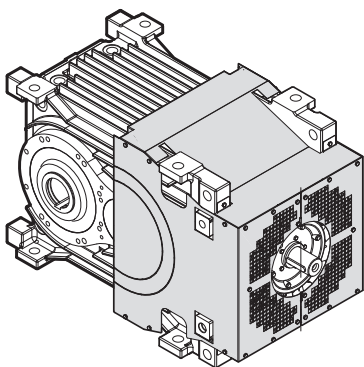
SK 5217

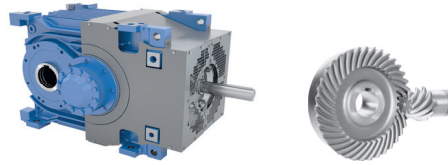


SK 5217 V

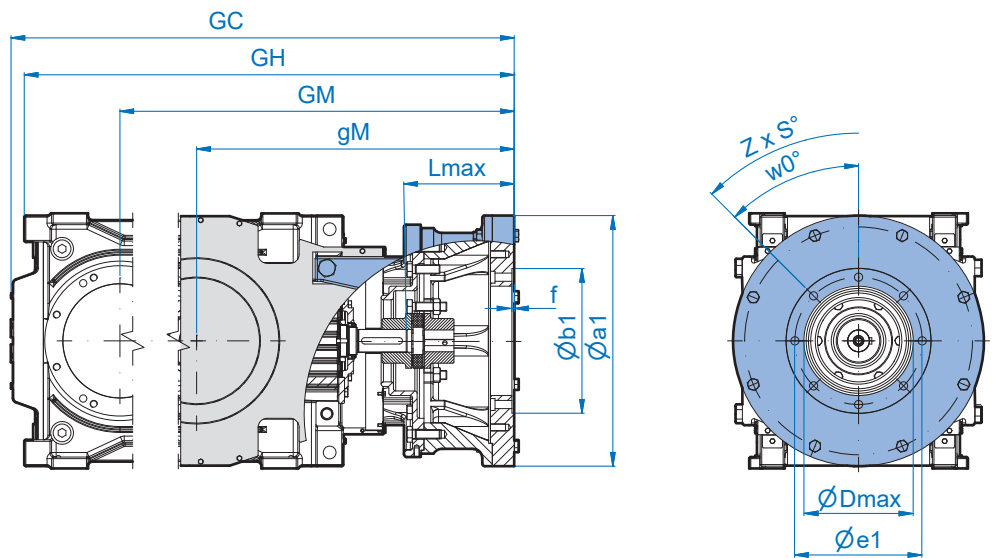
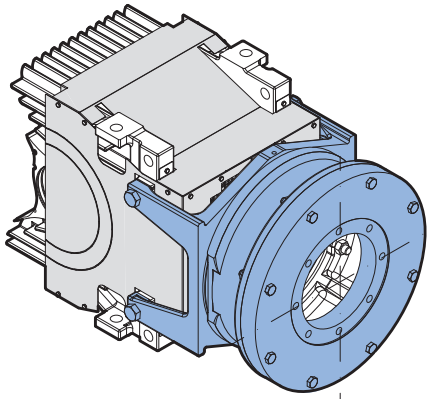


SK 5217 A





SK 5217

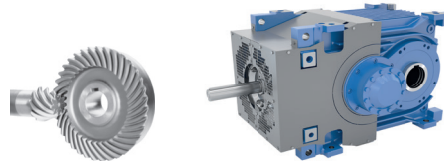


Gearbox		gM	a1	b1	e1	GM	GH	GC	f	z x s	w0°	Dmax	Lmax	
SK 5217	IEC 1)	225	649	450	350	400	877	1087	1112	6,5	8 x 17,5	22,5	290	186
		250	649	550	450	500	877	1087	1112	8	8 x M16	22,5	340	186
		280	649	550	450	500	877	1087	1112	8	8 x M16	22,5	340	186
	TN 2)	315												
		355												

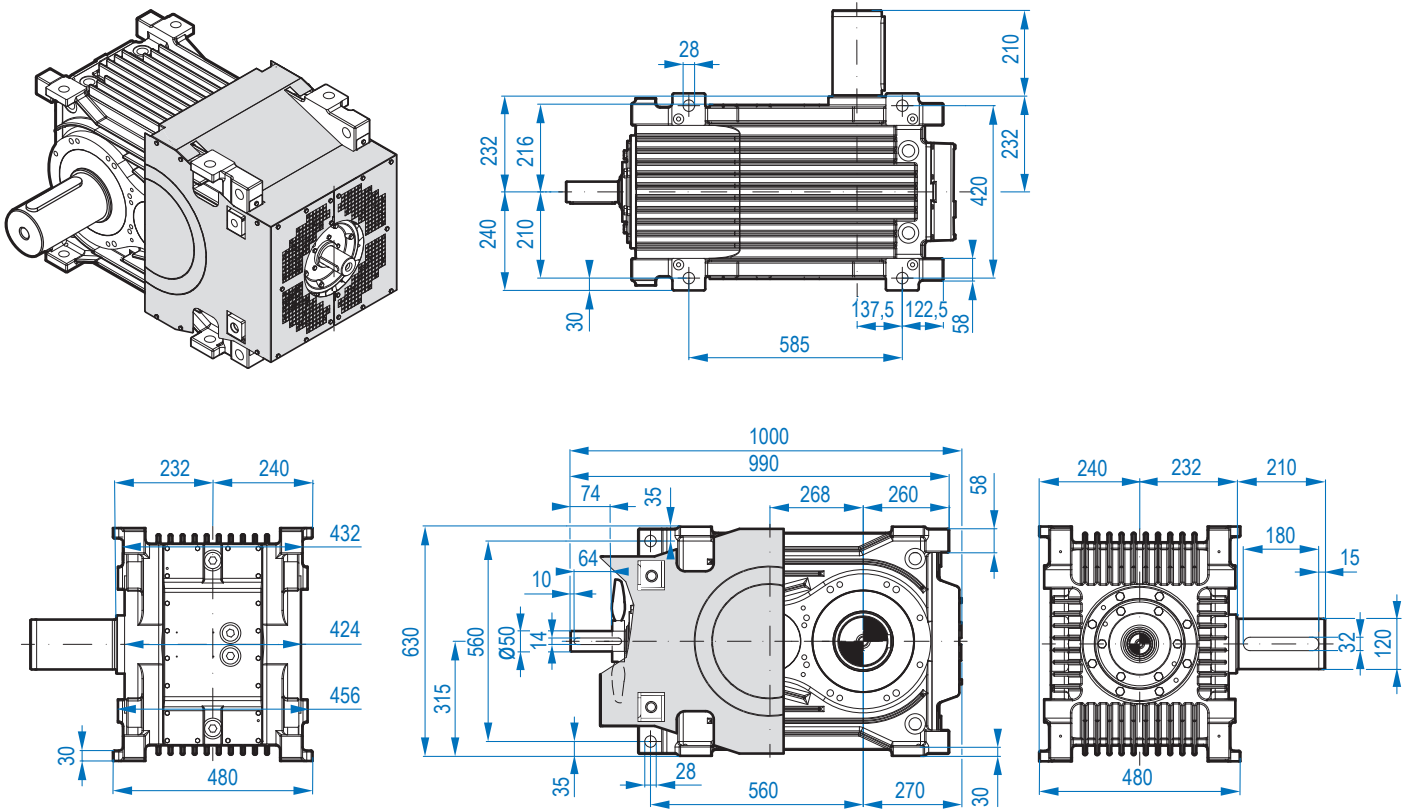
1) Type designation and dimensions up to 200kW correspond to NORD motors 2) Data for Transnorm motors available on request

Gearbox		gM	a1	b1	e1	GM	GH	GC	f	z x s	w0°	Dmax	Lmax	
SK 5217	NEMA	324/326 TC	653	400	317,5	279,4	881	1091	1116	5,8	4 x 5/8-11	45	240	191
		364/365 TC	683	450	317,5	279,4	911	1121	1146	4	4 x 5/8-11	45	170	221
		404/405 TC	697	550	317,5	279,4	925	1135	1160	4	4 x 5/8-11	45	240	235

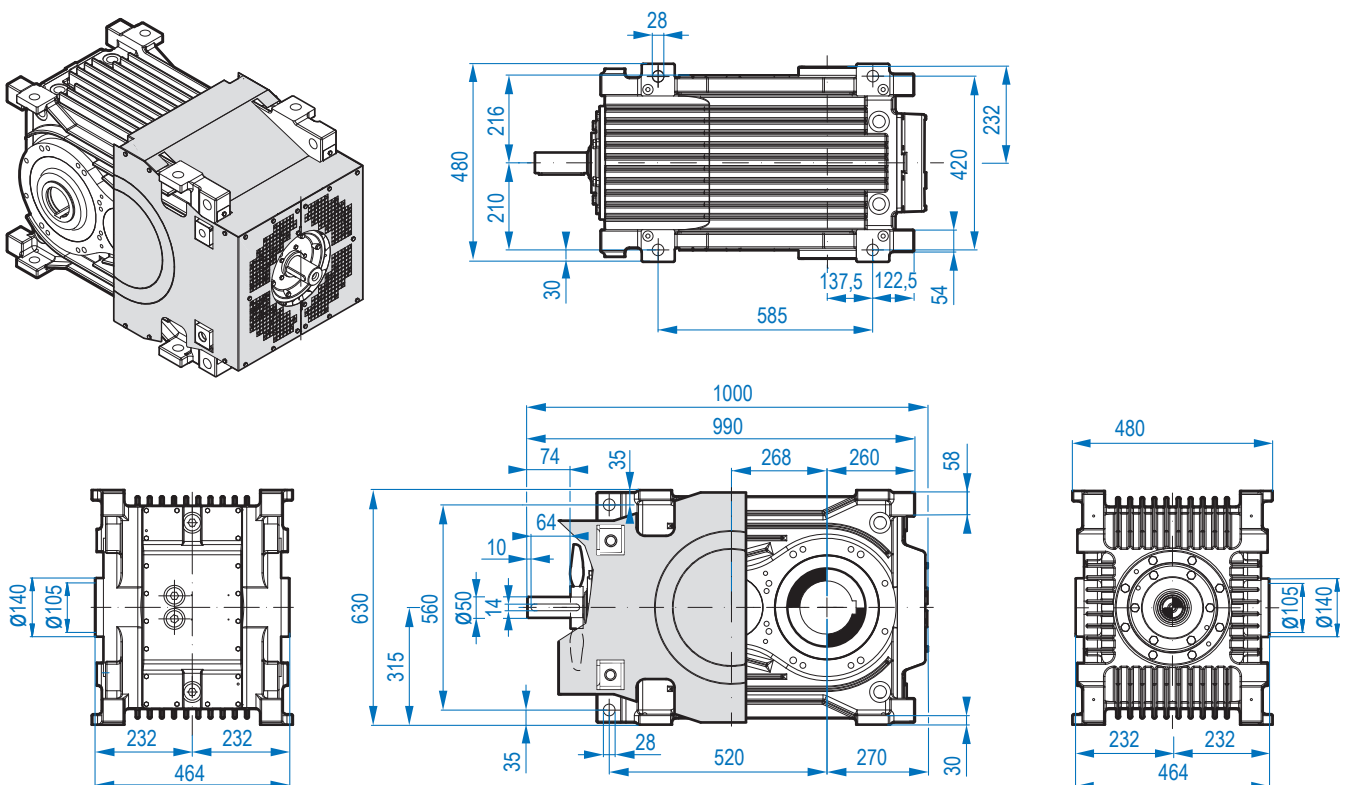
SK 6217

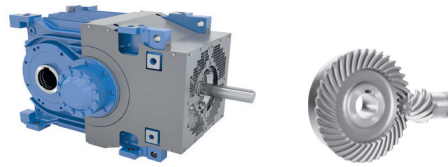


SK 6217 V

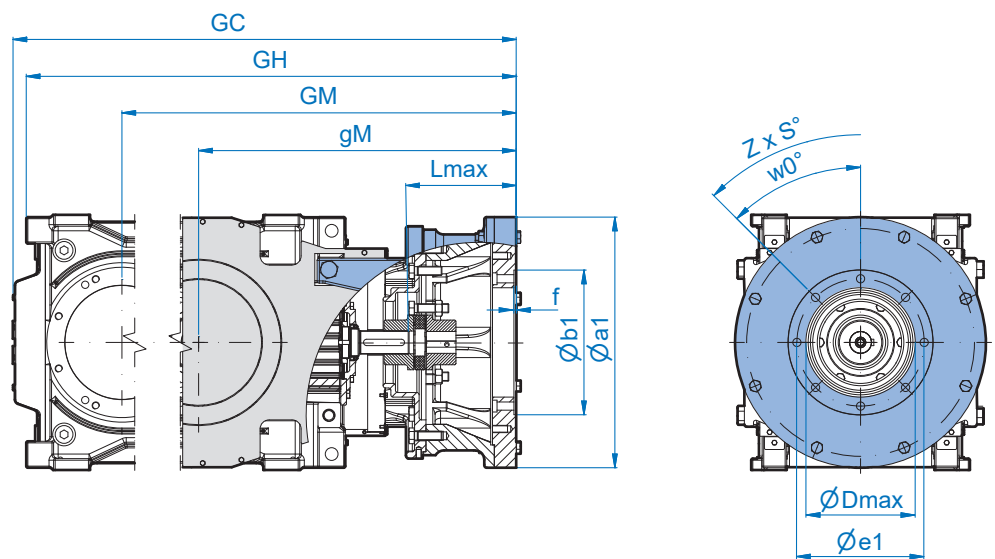
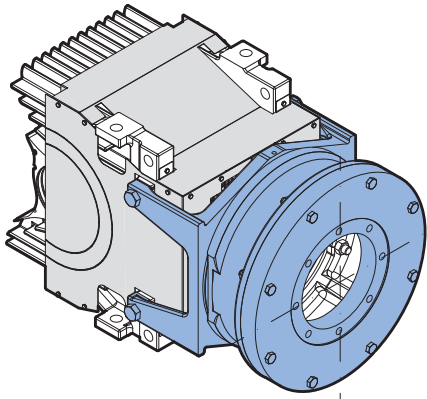


SK 6217 A





SK 6217

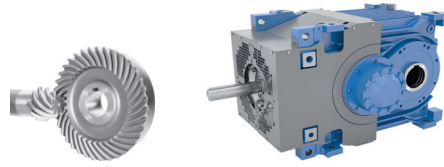


Gearbox		gM	a1	b1	e1	GM	GH	GC	f	z x s	w0°	Dmax	Lmax	
SK 6217	IEC 1)	225	649	450	350	400	917	1177	1184	6,5	8 x 17,5	22,5	290	186
		250	649	550	450	500	917	1177	1184	8	8 x M16	22,5	340	186
		280	649	550	450	500	917	1177	1184	8	8 x M16	22,5	340	186
	TN 2)	315												
		355												

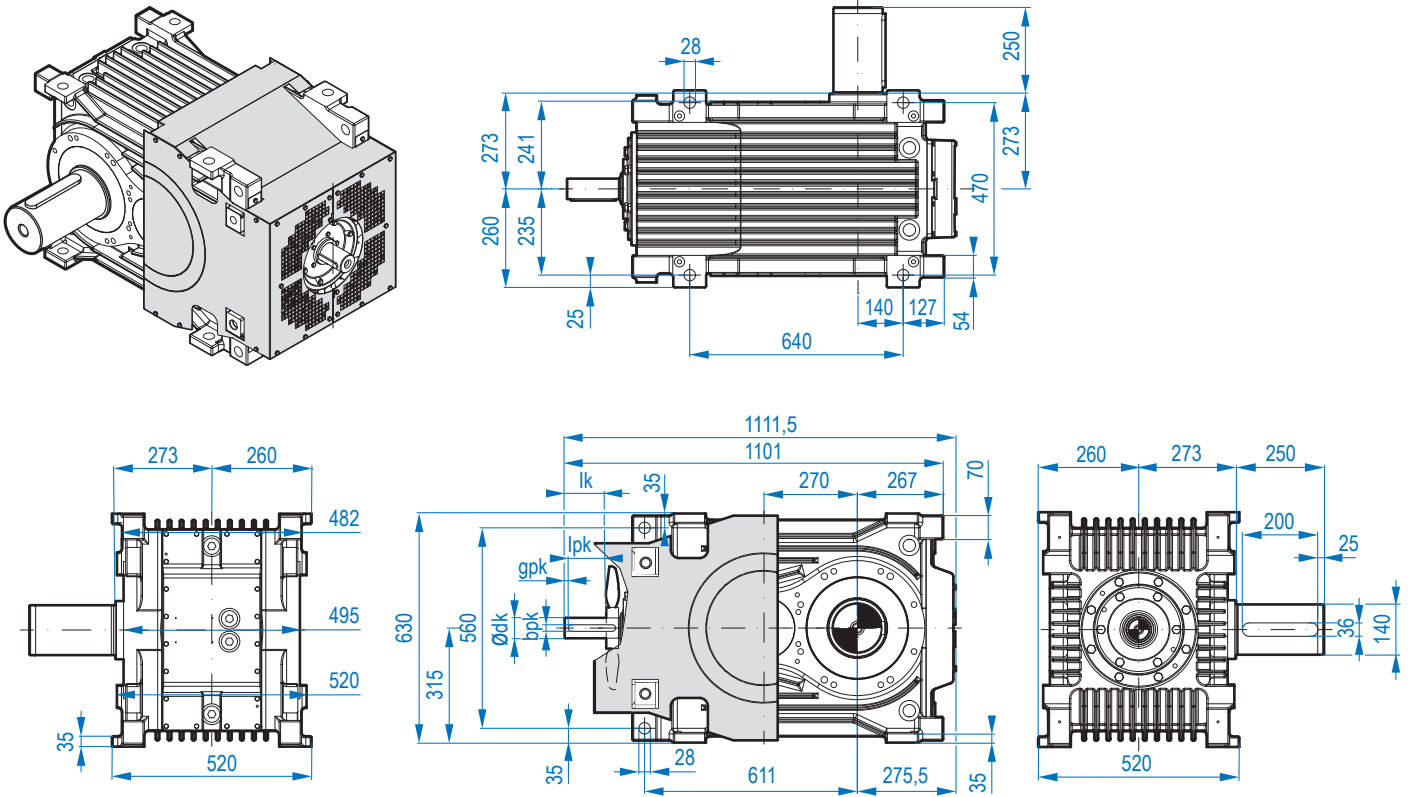
1) Type designation and dimensions up to 200kW correspond to NORD motors 2) Data for Transnorm motors available on request

Gearbox		gM	a1	b1	e1	GM	GH	GC	f	z x s	w0°	Dmax	Lmax	
SK 6217	NEMA	324/326 TC	653	400	317,5	279,4	921	1181	1188	5,8	4 x 5/8-11	45	240	191
		364/365 TC	683	450	317,5	279,4	951	1211	1218	4	4 x 5/8-11	45	170	221
		404/405 TC	697	550	317,5	279,4	965	1225	1232	4	4 x 5/8-11	45	240	235

SK 7217

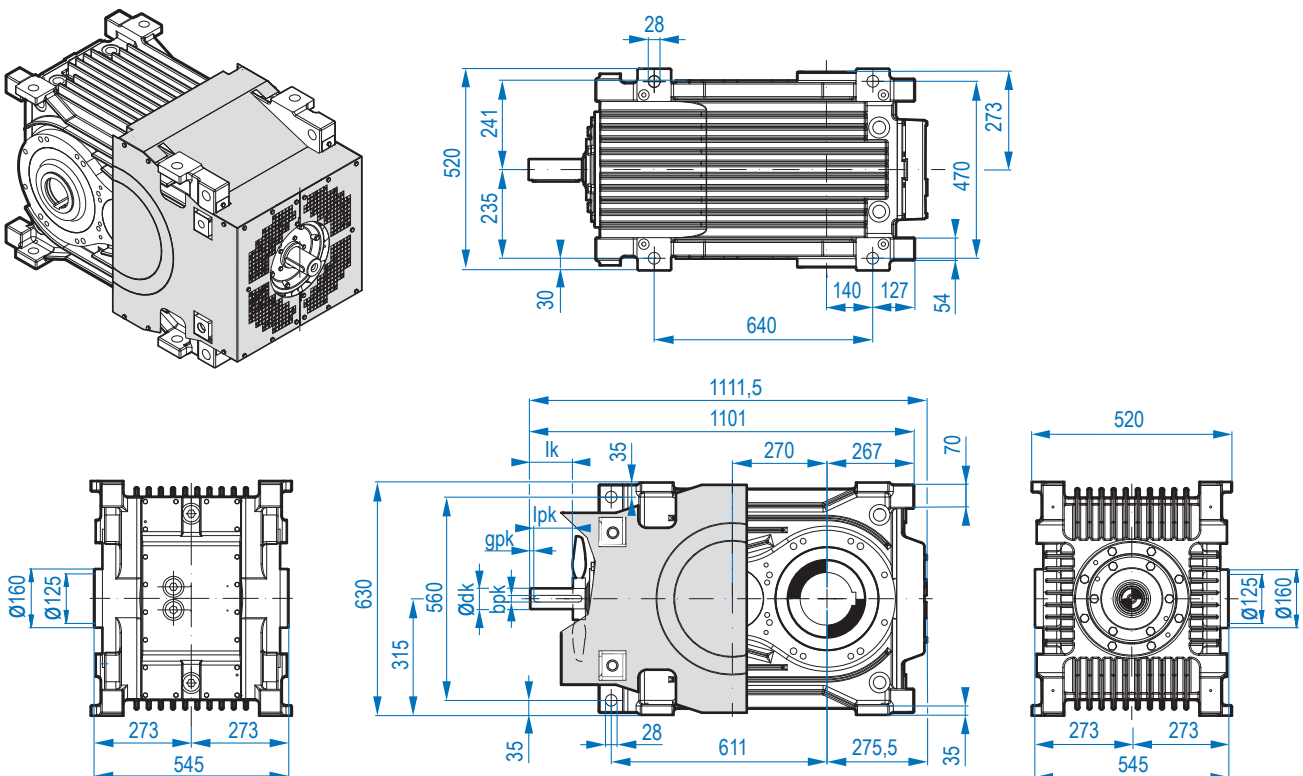


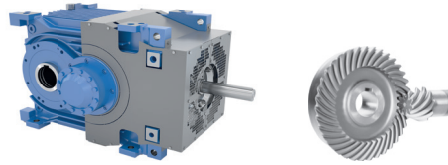
SK 7217 V



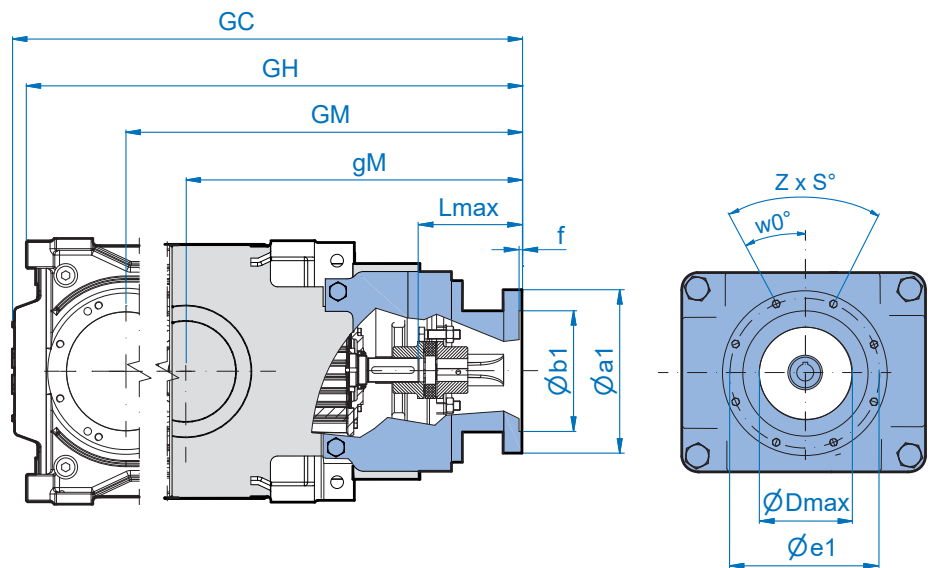
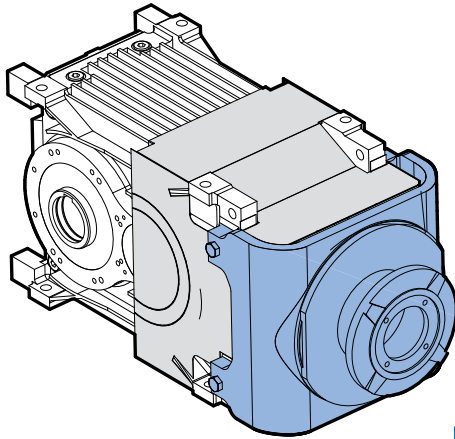
SK 7217 A

i_N	lk	lpk	gpk	bpk	$\varnothing dk$
16,06 - 17,94	55	45	10	20	50
6,37 - 13,20	85	77,5	7,5	20	70





SK 7217



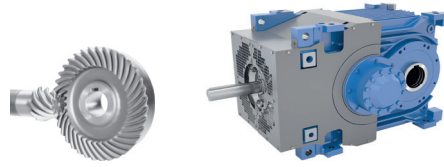
Gearbox		gM	a1	b1	e1	GM	GH	GC	f	z x s	w0°	Dmax	Lmax	
SK 7217	IEC 1)	225	744	450	350	400	1014	1281	1283	6,5	8 x 17,5	22,5	290	180/210 ³⁾
		250	744	550	450	500	1014	1281	1283	8	8 x M16	22,5	340	180/210 ³⁾
		280	744	550	450	500	1014	1281	1283	8	8 x M16	22,5	340	180/210 ³⁾
		315	774	660	550	600	1044	1311	1313	8	8 x 22	22,5	340	210/240 ³⁾
		TN 2)	315											
		355												

1) Type designation and dimensions up to 200kW correspond to NORD motors 2) Data for Transnorm motors available on request 3) i >= 16

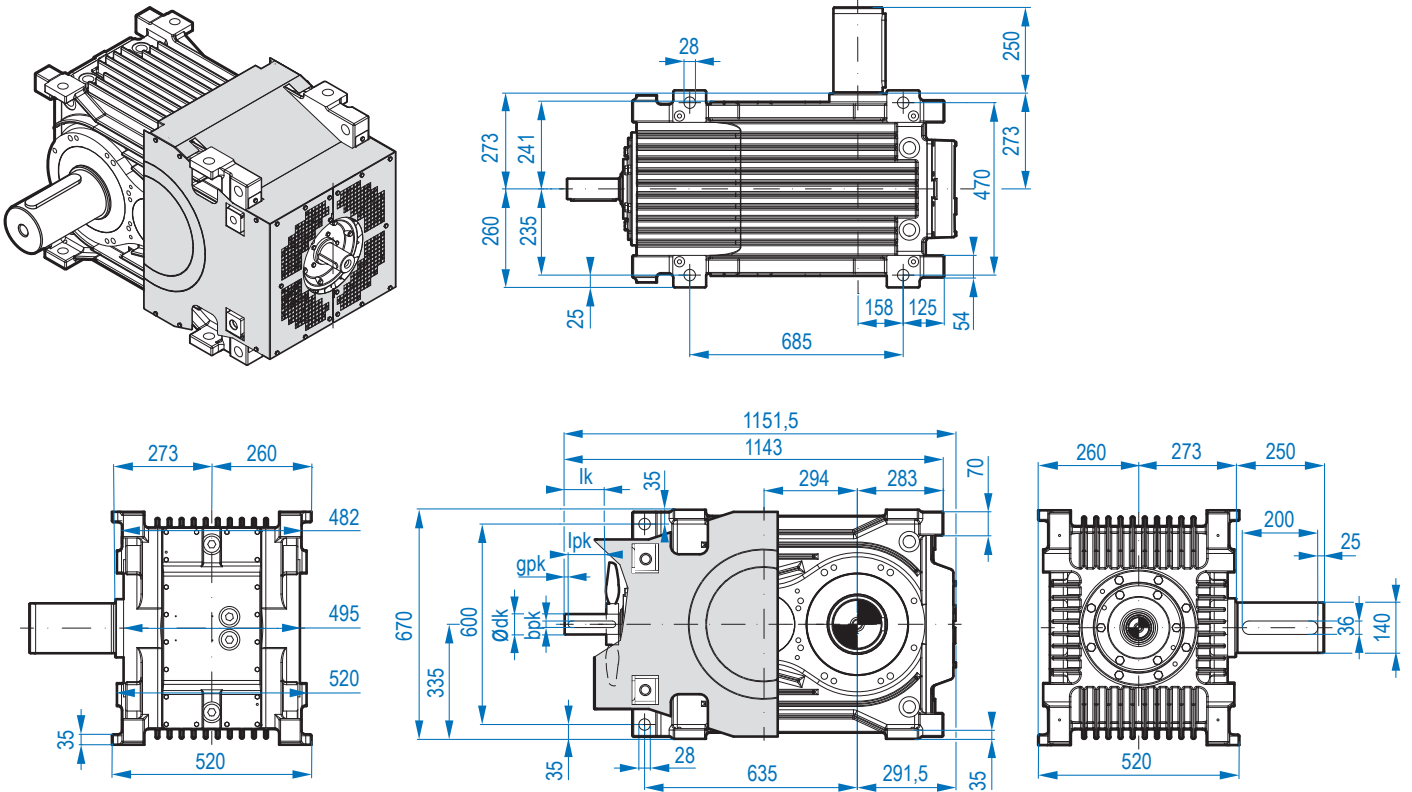
Gearbox		gM	a1	b1	e1	GM	GH	GC	f	z x s	w0°	Dmax	Lmax	
SK 7217	NEMA	324/326 TC	748	350	317,5	279,4	1018	1285	1287	5,8	4 x 5/8-11	45	240	184/214 ³⁾
		364/365 TC	778	450	317,5	279,4	1048	1315	1317	4	4 x 5/8-11	45	170	210/240 ³⁾
		404/405 TC	792	550	317,5	279,4	1062	1329	1331	4	4 x 5/8-11	45	240	258/288 ³⁾

3) i >= 16

SK 8217

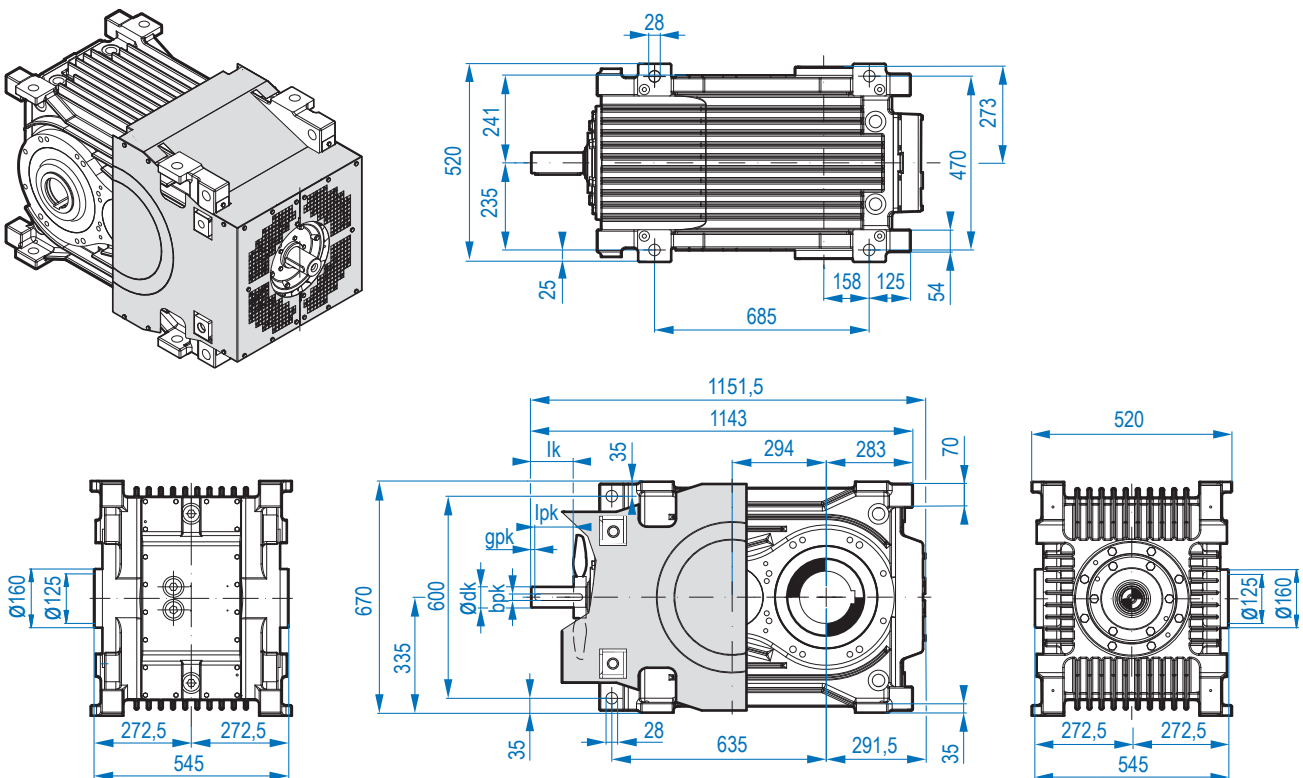


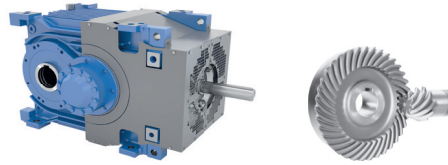
SK 8217 V



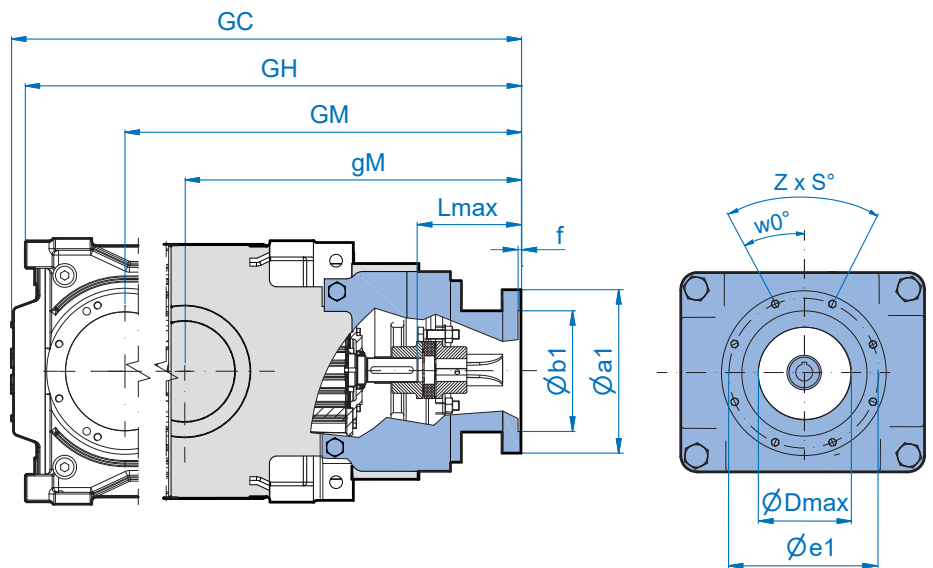
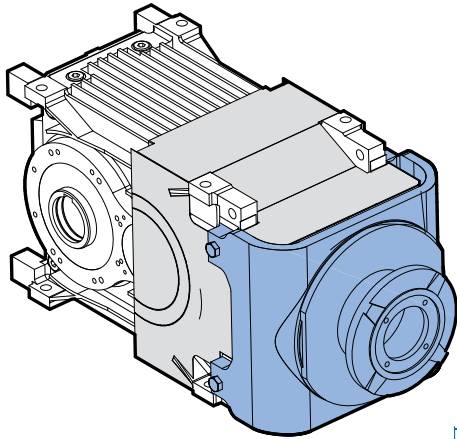
SK 8217 A

i_N	lk	lpk	gpk	bpk	$\varnothing dk$
15,86 - 20,44	55	45	10	20	50
6,30 - 13,33	85	77,5	7,5	20	70





SK 8217



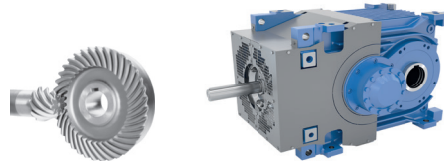
Gearbox		gM	a1	b1	e1	GM	GH	GC	f	z x s	w0°	Dmax	Lmax	
SK 8217	IEC 1)	225	744	450	350	400	1028	1321	1323	6,5	8 x 17,5	22,5	290	180/210 ³⁾
		250	744	550	450	500	1028	1321	1323	8	8 x M16	22,5	340	180/210 ³⁾
		280	744	550	450	500	1028	1321	1323	8	8 x M16	22,5	340	180/210 ³⁾
		315	774	660	550	600	1068	1351	1353	8	8 x 22	22,5	340	210/240 ³⁾
		TN 2)	315											
		355												

1) Type designation and dimensions up to 200kW correspond to NORD motors 2) Data for Transnorm motors available on request 3) i >= 16

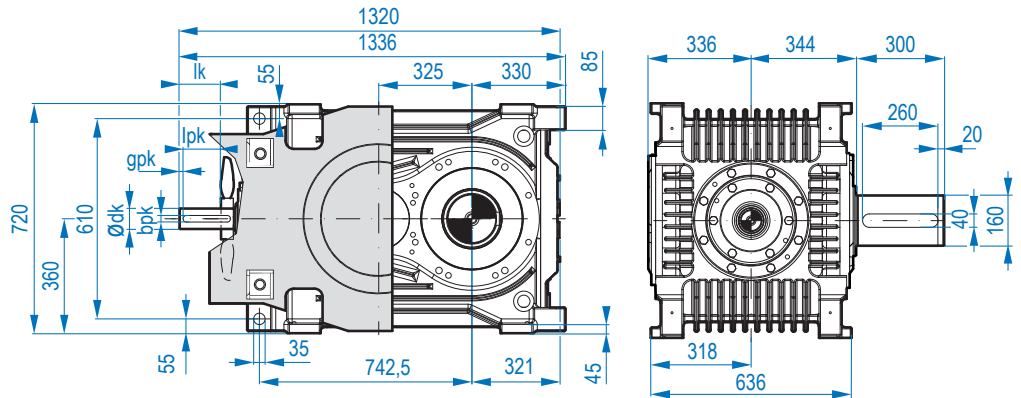
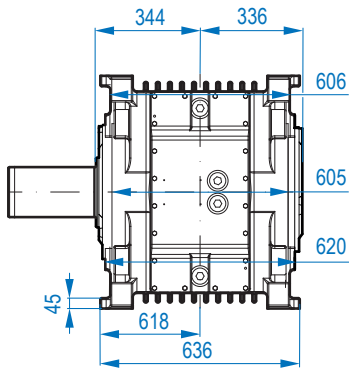
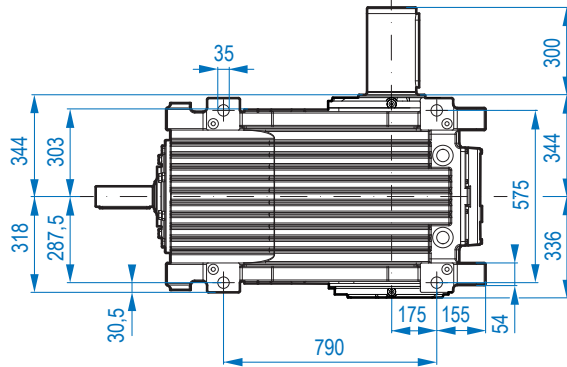
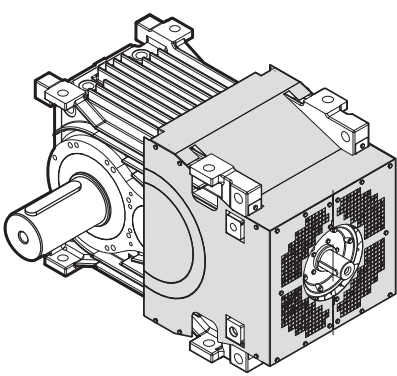
Gearbox		gM	a1	b1	e1	GM	GH	GC	f	z x s	w0°	Dmax	Lmax	
SK 8217	NEMA	324/326 TC	748	350	317,5	279,4	1042	1325	1327	5,8	4 x 5/8-11	45	240	184/214 ³⁾
		364/365 TC	778	450	317,5	279,4	1072	1355	1357	4	4 x 5/8-11	45	170	210/240 ³⁾
		404/405 TC	792	550	317,5	279,4	1086	1369	1371	4	4 x 5/8-11	45	240	258/288 ³⁾

3) i >= 16

SK 9217

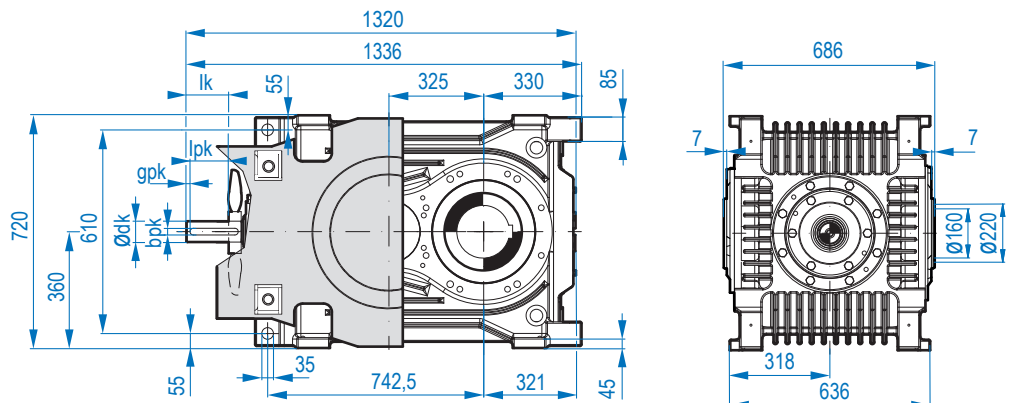
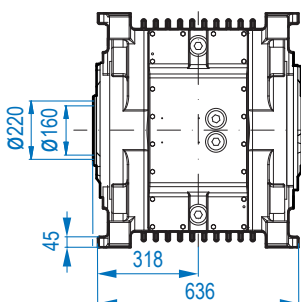
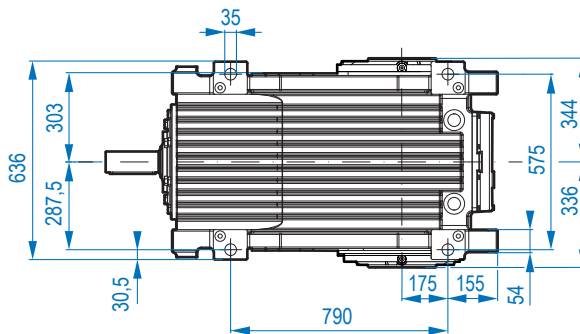
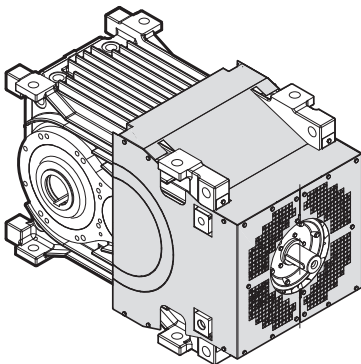


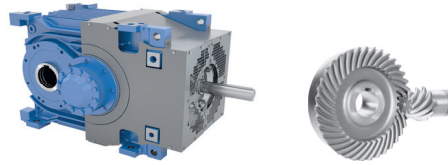
SK 9217 V



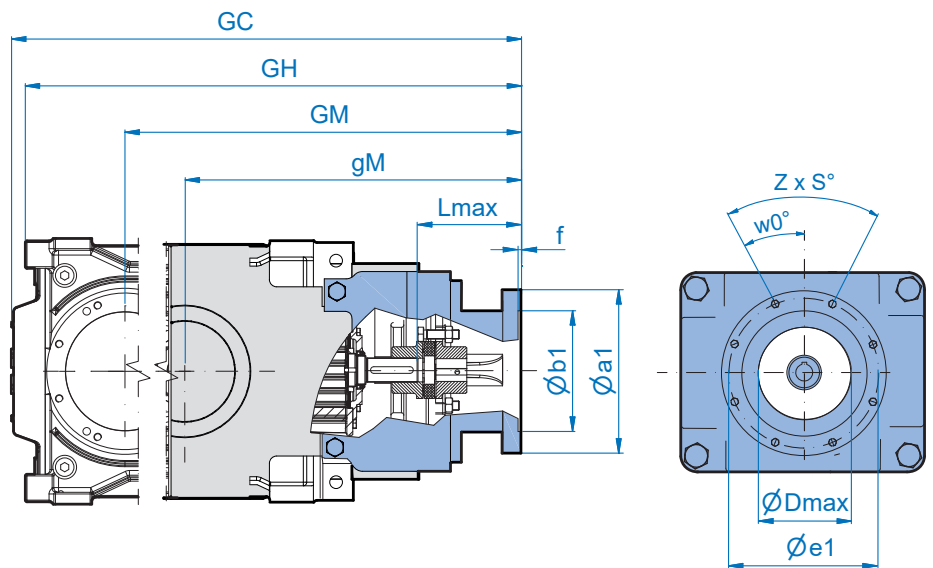
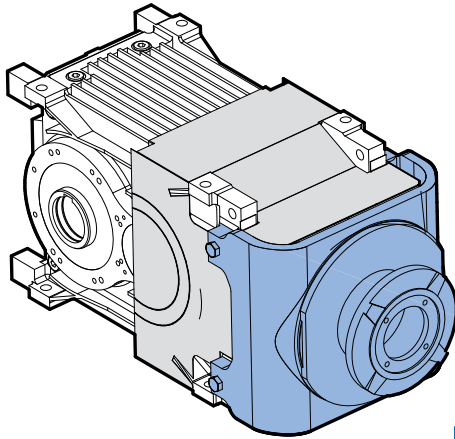
SK 9217 A

i_N	lk	lpk	gpk	bpk	ødk
16,18 - 18,14	91	83,5	7,5	22	70
6,42 - 13,47	121	106	15	22	80





SK 9217



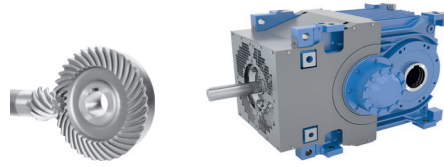
Gearbox		gM	a1	b1	e1	GM	GH	GC	f	z x s	w0°	Dmax	Lmax	
SK 9217	IEC 1)	225	831	450	350	400	1156	1486	1477	6,5	8 x 17,5	22,5	290	150/180 ³⁾
		250	831	550	450	500	1156	1486	1477	8	8 x M16	22,5	340	150/180 ³⁾
		280	831	550	450	500	1156	1486	1477	8	8 x M16	22,5	340	150/180 ³⁾
		315	861	660	550	600	1186	1516	1507	8	8 x 22	22,5	340	180/210 ³⁾
	TN 2)	315												
		355												

1) Type designation and dimensions up to 200kW correspond to NORD motors 2) Data for Transnorm motors available on request 3) i >= 16

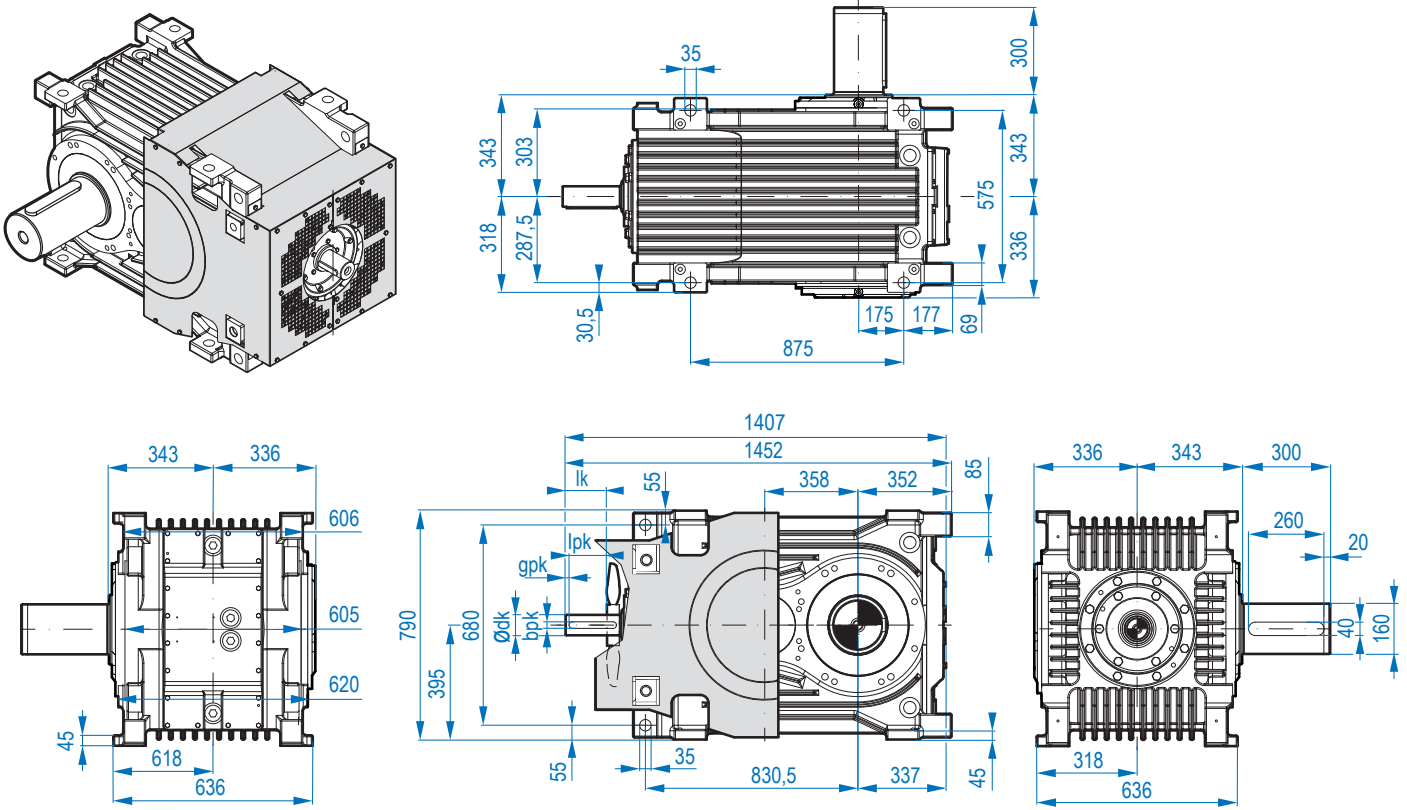
Gearbox		gM	a1	b1	e1	GM	GH	GC	f	z x s	w0°	Dmax	Lmax	
SK 9217	NEMA	324/326 TC	835	350	317,5	279,4	1160	1490	1481	5,8	4 x 5/8-11	45	240	153/183 ³⁾
		364/365 TC	865	450	317,5	279,4	1190	1520	1511	4	4 x 5/8-11	45	170	184/214 ³⁾
		404/405 TC	879	550	317,5	279,4	1204	1534	1525	4	4 x 5/8-11	45	240	198/228 ³⁾

3) i >= 16

SK 10217

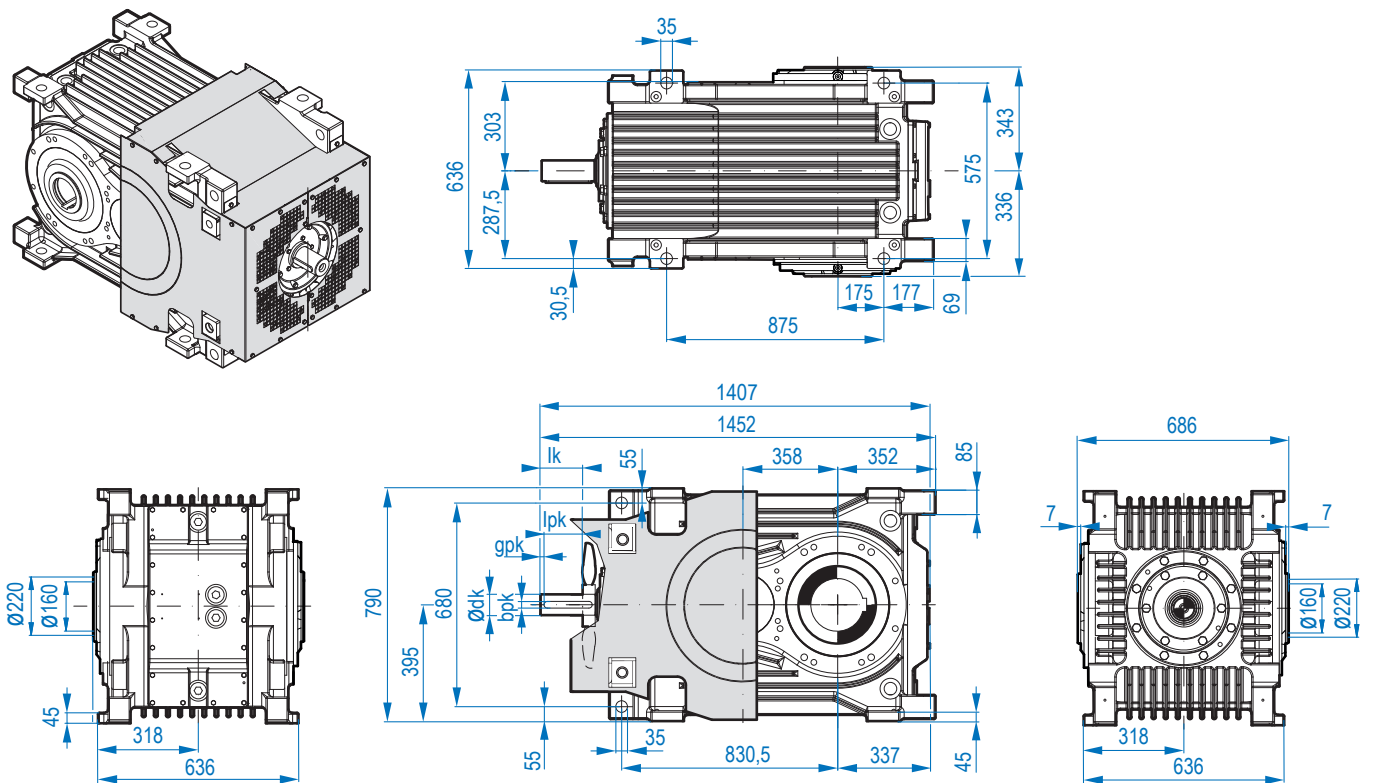


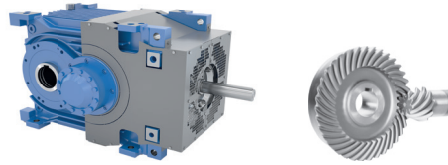
SK 10217 V



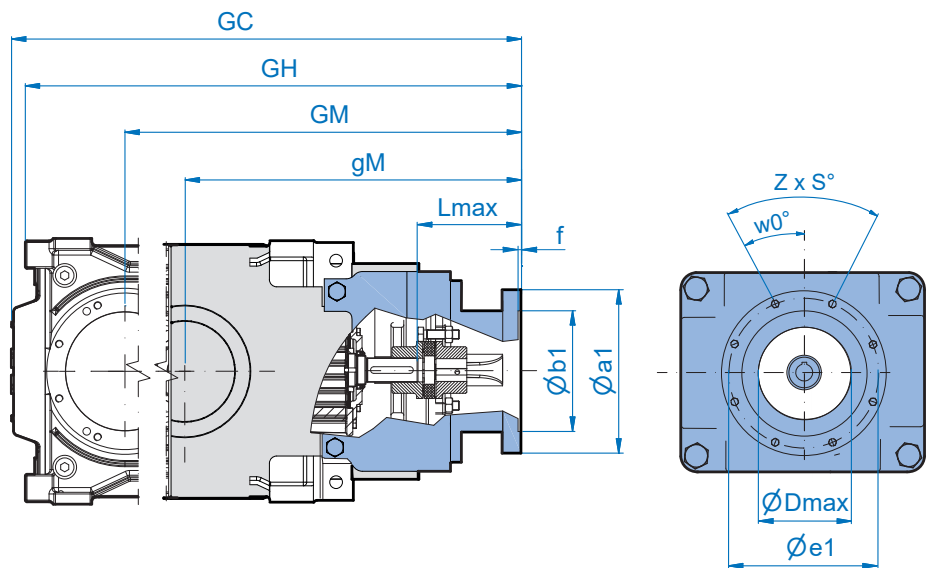
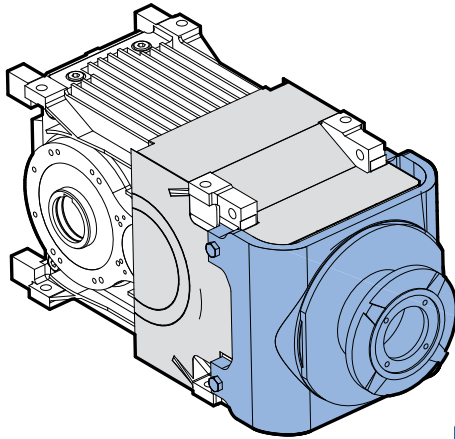
SK 10217 A

i_N	lk	lpk	gpk	bpk	ødk
15,76 - 18,17	91	83,5	7,5	20	70
6,26 - 13,74	121	106	15	22	80





SK 10217



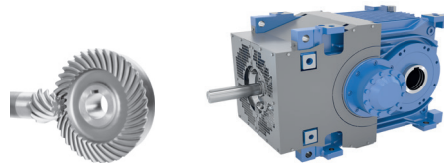
Gearbox		gM	a1	b1	e1	GM	GH	GC	f	z x s	w0°	Dmax	Lmax	
SK 10217	IEC 1)	225	891	450	350	400	1250	1602	1587	6,5	8 x 17,5	22,5	290	150/180 ³⁾
		250	891	550	450	500	1250	1602	1587	8	8 x M16	22,5	340	150/180 ³⁾
		280	891	550	450	500	1250	1602	1587	8	8 x M16	22,5	340	150/180 ³⁾
		315	921	660	550	600	1280	1632	1617	8	8 x 22	22,5	340	180/210 ³⁾
	TN 2)	315												
		355												

¹⁾ Type designation and dimensions up to 200kW correspond to NORD motors ²⁾ Data for Transnorm motors available on request ³⁾ i ≥ 16

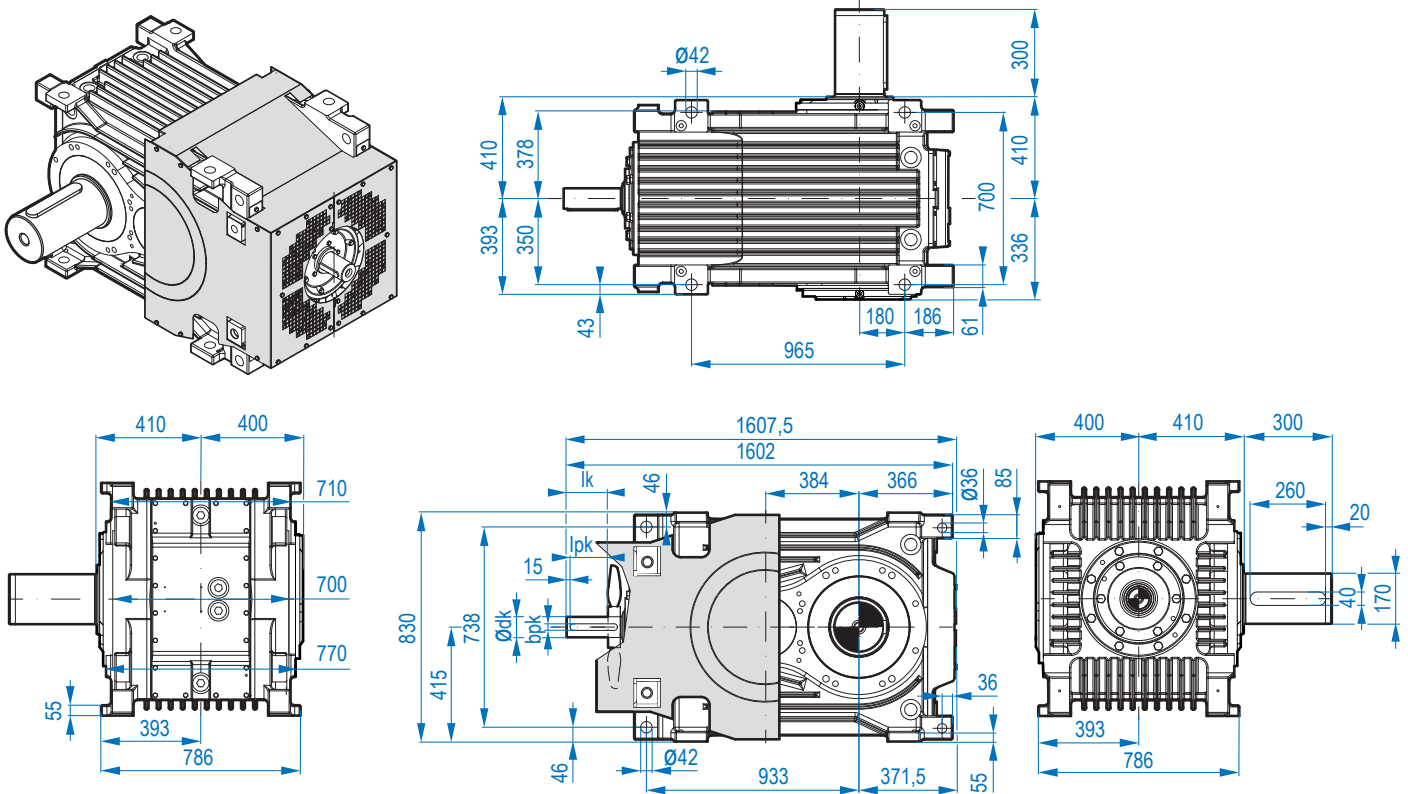
Gearbox		gM	a1	b1	e1	GM	GH	GC	f	z x s	w0°	Dmax	Lmax	
SK 10217	NEMA	324/326 TC	896	350	317,5	279,4	1254	1606	1591	5,8	4 x 5/8-11	45	240	153/183 ³⁾
		364/365 TC	925	450	317,5	279,4	1284	1636	1621	4	4 x 5/8-11	45	170	184/214 ³⁾
		404/405 TC	939	550	317,5	279,4	1298	1650	1635	4	4 x 5/8-11	45	240	198/228 ³⁾

³⁾ i ≥ 16

SK 11217

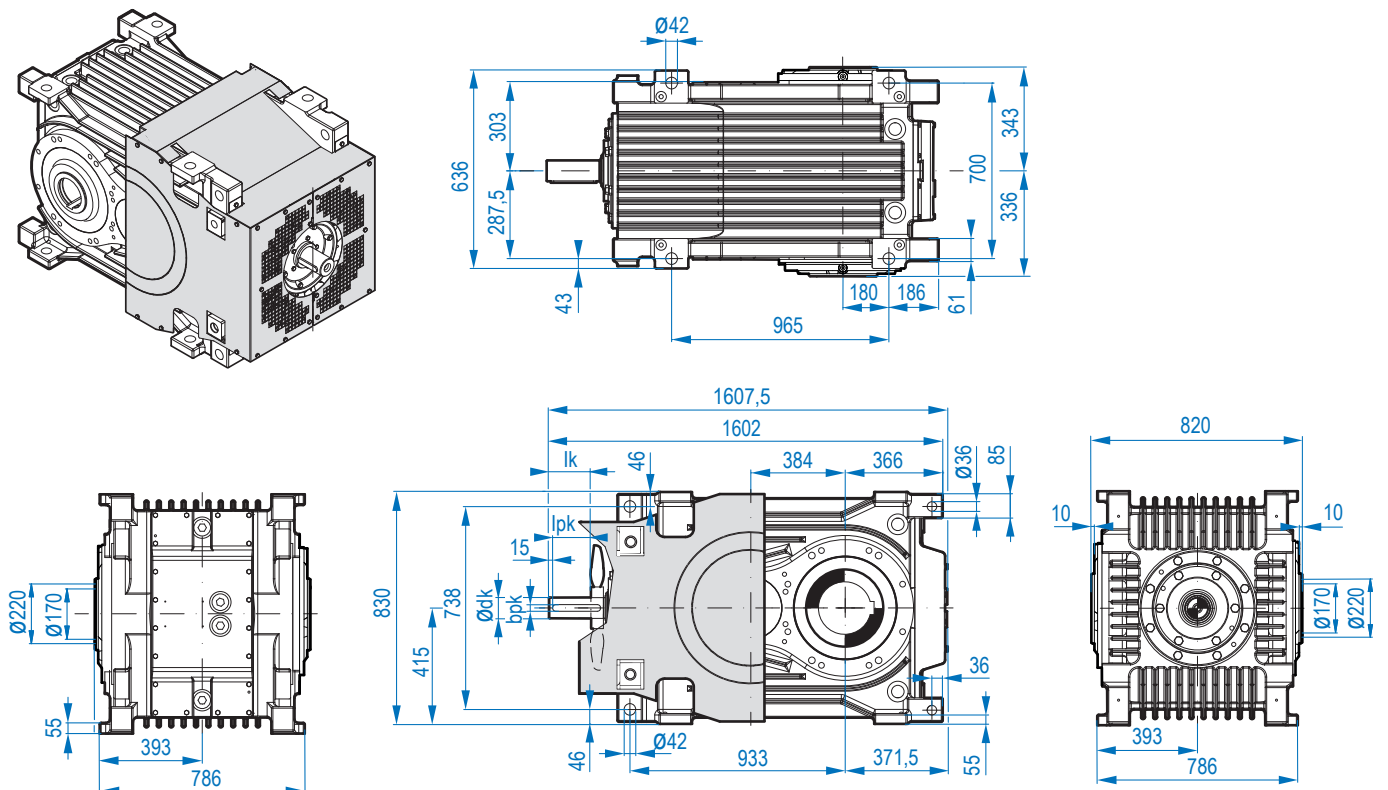


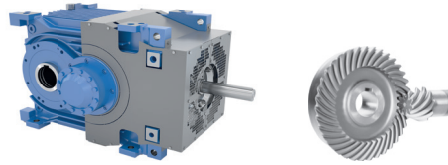
SK 11217 V



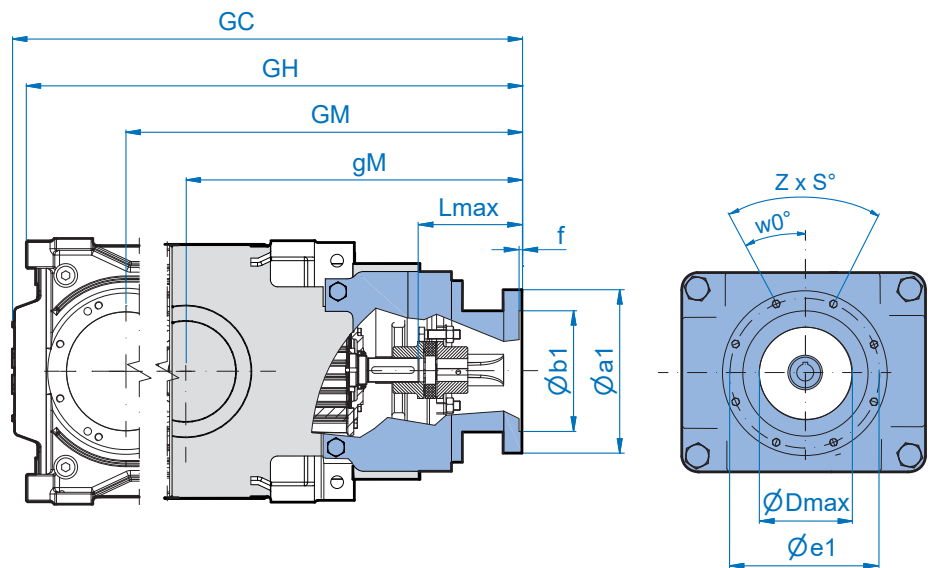
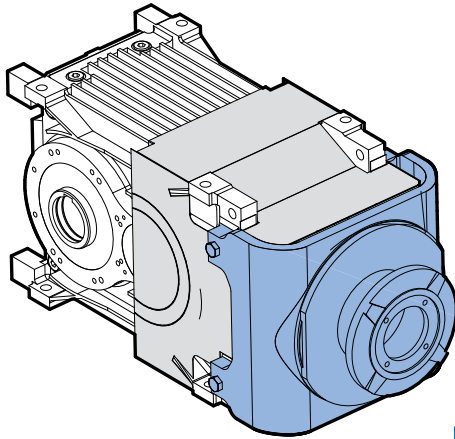
SK 11217 A

i_N	lk	lpk	gpk	bpk	Ødk
16,84 - 18,44	135	120	15	28	80
6,69 - 13,35	170	155	15	28	100





SK 11217



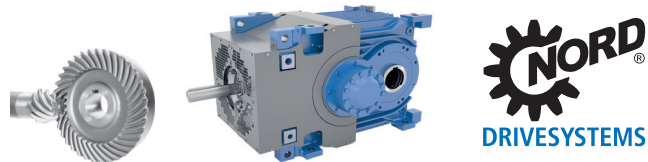
Gearbox		gM	a1	b1	e1	GM	GH	GC	f	z x s	w0°	Dmax	Lmax	
SK 11217	IEC 1)	225	1037	450	350	400	1421	1787	1788	6,5	8 x 17,5	22,5	290	185/215 ³⁾
		250	1037	550	450	500	1421	1787	1788	8	8 x M16	22,5	340	185/215 ³⁾
		280	1037	550	450	500	1421	1787	1788	8	8 x M16	22,5	340	185/215 ³⁾
		315	1067	660	550	600	1451	1817	1818	8	8 x 22	22,5	340	215/245 ³⁾
		TN 2)	315											
		355												

1) Type designation and dimensions up to 200kW correspond to NORD motors 2) Data for Transnorm motors available on request 3) i >= 16

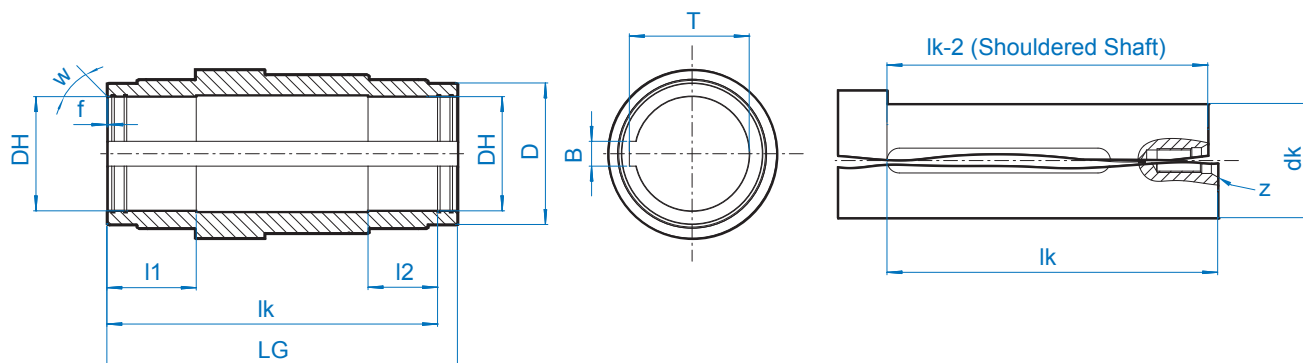
Gearbox		gM	a1	b1	e1	GM	GH	GC	f	z x s	w0°	Dmax	Lmax	
SK 11217	NEMA	324/326 TC	1041	400	317,5	279,4	1425	1791	1792	5,8	4 x 5/8-11	45	240	189/219 ³⁾
		364/365 TC	1071	450	317,5	279,4	1455	1821	1822	4	4 x 5/8-11	45	170	219/249 ³⁾
		404/405 TC	1085	550	317,5	279,4	1469	1835	1836	4	4 x 5/8-11	45	240	233/263 ³⁾

3) i >= 16

A - Keyed Hollow Shaft AS - Shrink Disc with Hollow Shaft

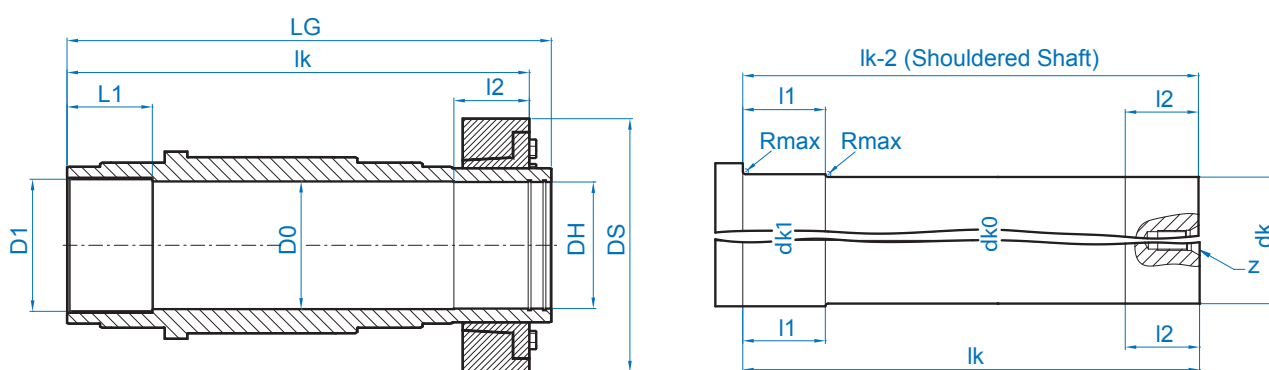


A - Keyed Hollow Shaft & Customer Shaft Detail

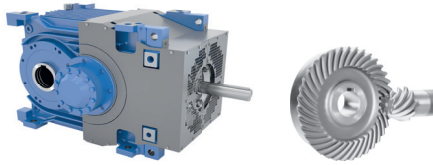


	$\varnothing DH^{H7}$	LG	$\varnothing dk^{h6}$	lk	lk-2	l1	l2	$\varnothing D$	f	w	B	T	z
SK 5217	105	464	105,1	434	432	100	70	140	2	10	28	111,4	M24
SK 6217	105	464	105,1	434	432	100	70	140	2	10	28	111,4	M24
SK 7217	125	545,3	125,1	511	509	100	65	160	2	30	32	132,4	M24
SK 8217	125	545,3	125,1	511	509	100	65	160	2	30	32	132,4	M24
SK 9217	160	686	160,1	646	644	130	90	220	2	30	40	169,4	M30
SK 10217	160	686	160,1	646	644	130	90	220	2	30	40	169,4	M30
SK 11217	170	820	170,1	785	783	140	105	230	2	30	40	179,4	M30

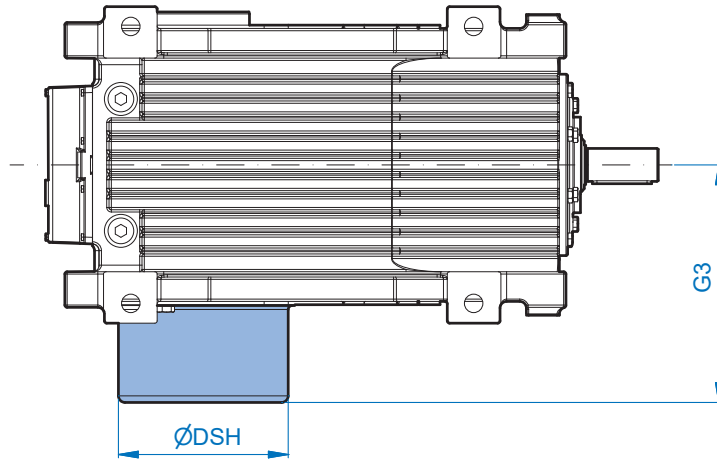
AS - Shrink Disc with Hollow Shaft



	$\varnothing DH^{H7}$	$\varnothing D0$	$\varnothing D1$	L1	$\varnothing DS$	LG	$\varnothing dk1^{h8}$	$\varnothing dk0$	$\varnothing dk$	lk	lk-2	l1	l2	Rmax	z
SK 5217	110	110,5	110	73	230	547	110	110	110 ^{h6}	537	535	80	65	3	M24
SK 6217	110	110,5	110	73	230	547	110	110	110 ^{h6}	537	535	80	65	3	M24
SK 7217	125	125,5	125	90	290	637	125	125	125 ^{h6}	626	624	100	65	3	M24
SK 8217	125	125,5	125	90	290	637	125	125	125 ^{h6}	626	624	100	65	3	M24
SK 9217	160	160,5	160	110	320	808	160	160	160 ^{h6}	774	772	110	85	3	M30
SK 10217	160	160,5	160	110	320	808	160	160	160 ^{h6}	774	772	110	85	3	M30
SK 11217	170	172	180	125	370	950	180	170	170 ^{g6}	918	916	125	105	5	M30

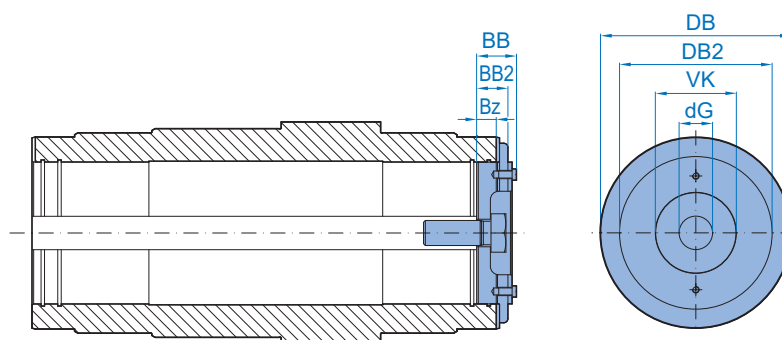


H/HS - Hollow Shaft / Shrink Disc / HS Cover



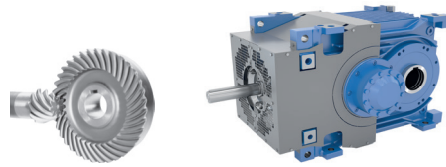
	ø DSH	G3
SK 5217	275,5	359
SK 6217	275,5	359
SK 7217	319	380,5
SK 8217	319	380,5
SK 9217	452	512,5
SK 10217	452	512,5
SK 11217	460	570

B - Fixing Kit

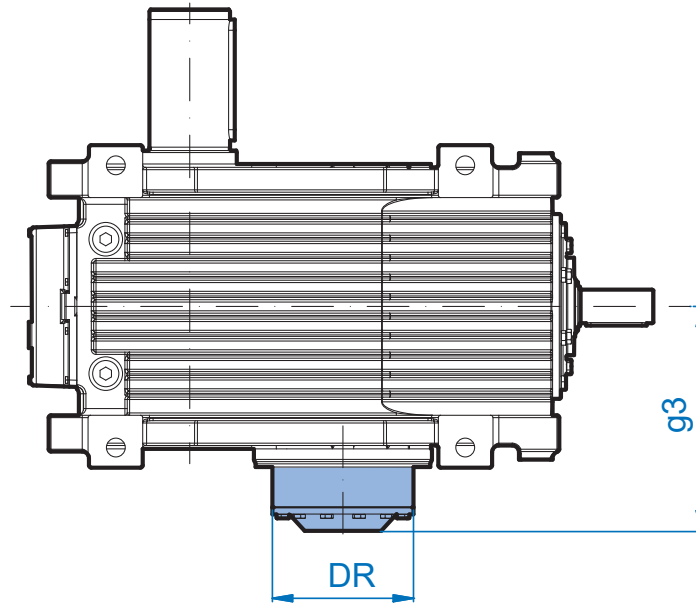


	ø DB	ø DB2	ø VK	BB	BB2	Bz	ø dG
SK 5217	135	124,8	62	30,0	30,0	10,0	28 (M24)
SK 6217	135	124,8	62	30,0	30,0	10,0	28 (M24)
SK 7217	155	124,8	49	27,0	22,0	10,0	28 (M24)
SK 8217	155	124,8	49	27,0	22,0	10,0	28 (M24)
SK 9217	215	159,8	100	42,5	27,5	15,5	35 (M30)
SK 10217	215	159,8	100	42,5	27,5	15,5	35 (M30)
SK 11217	215	169,8	100	42,5	37,5	27,5	42 (M36)

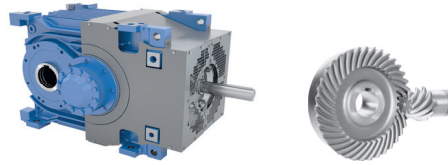
R - Backstop



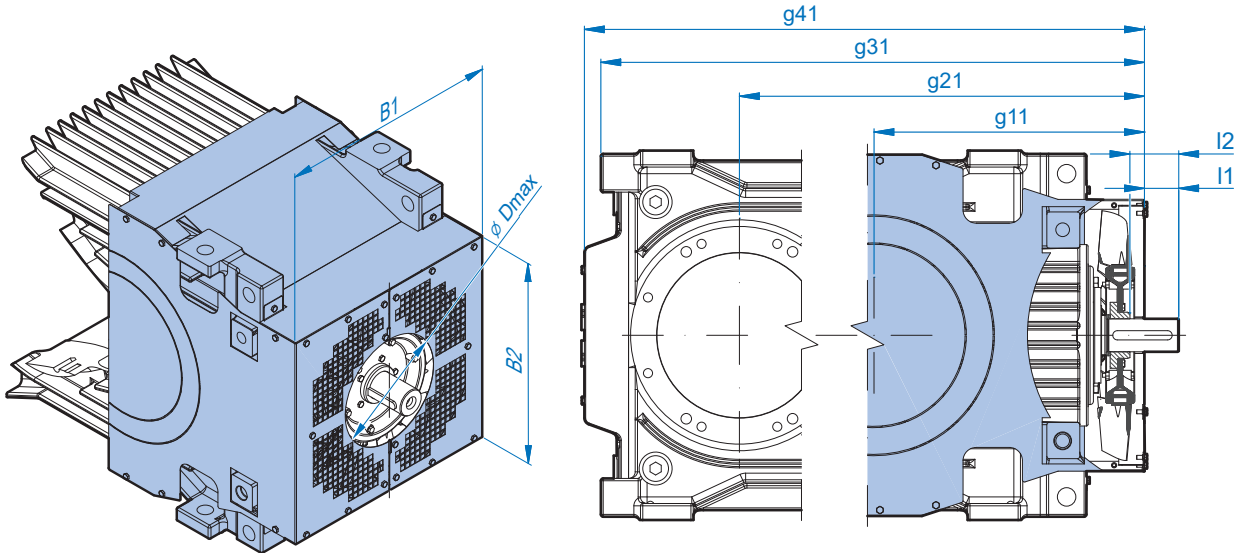
R - Backstop



	DR	g3
SK 5217	210	334
SK 6217	210	334
SK 7217	210	369,5
SK 8217	210	369,5
SK 9217	290	467
SK 10217	290	467
SK 11217	290	524

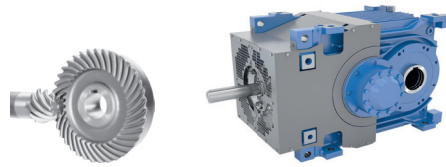


FAN - Fan

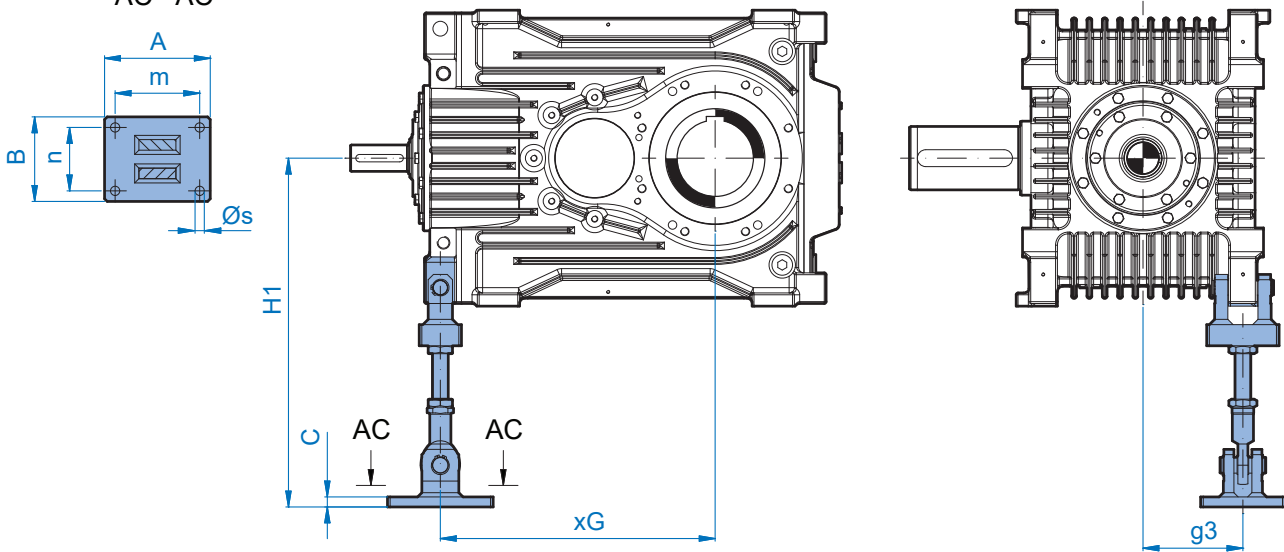


	i_N	B1	B2	g11	g21	g31	g41	l1	l2	ø Dmax
SK 5217	6,14 - 22,91	446	412	410	638	848	873	52	74	210
SK 6217	6,15 - 22,50	446	412	410	678	938	940	52	74	210
SK 7217	16,06 - 17,94 6,37 - 13,20	512	488	509 509	779,35 779,35	1046 1046	1041,35 1041,35	56,65 56,65	55 85	210
SK 8217	15,86 - 20,44 6,30 - 13,33	512	488	509 509	803,35 803,35	1086 1086	1088,35 1088,35	56,65 56,65	55 85	210
SK 9217	16,18 - 18,14 6,42 - 13,47	612	594	584 584	909 909	1239 1239	1230 1230	97 97	91 121	210
SK 10217	15,76 - 18,17 6,26 - 13,74	612	594	647 647	1005 1005	1357 1357	1342 1342	95 95	91 121	210
SK 11217	16,84 - 18,44 6,69 - 13,35	708	640	715 715	1099 1099	1465 1465	1466 1466	107 137	135 170	210

D - Torque Support ED - Elastic Torque Support

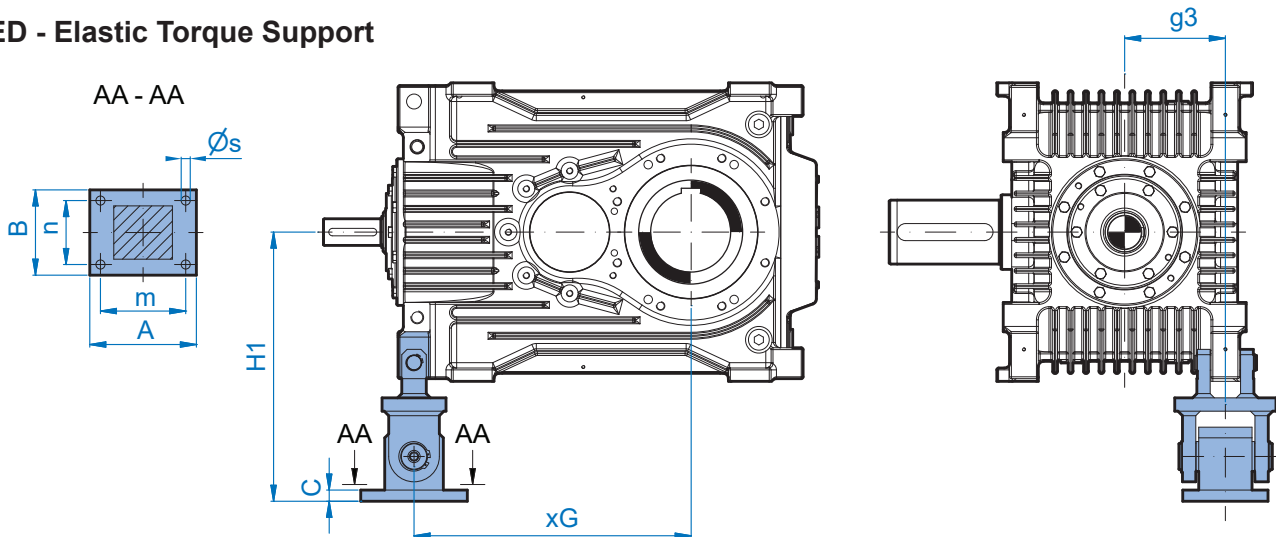


D - Torque Support AC - AC

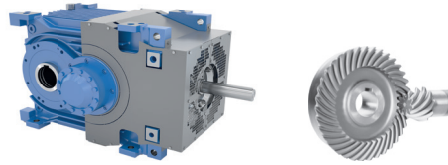


	H1max	H1min	xG	g3	c	A	B	m	n	s
SK 5217	667,5	647,5	520	189	19	200	160	160	120	17,5
SK 6217	682,5	662,5	560	189	19	200	160	160	120	17,5
SK 7217	695	675	611	214	19	200	160	160	120	17,5
SK 8217	725	705	635	214	19	200	160	160	120	17,5
SK 9217	750	710	742,5	270	19	200	160	160	120	17,5
SK 10217	800	760	830,5	268,5	19	200	160	160	120	17,5
SK 11217	900	860	933	327	29	240	220	180	160	22

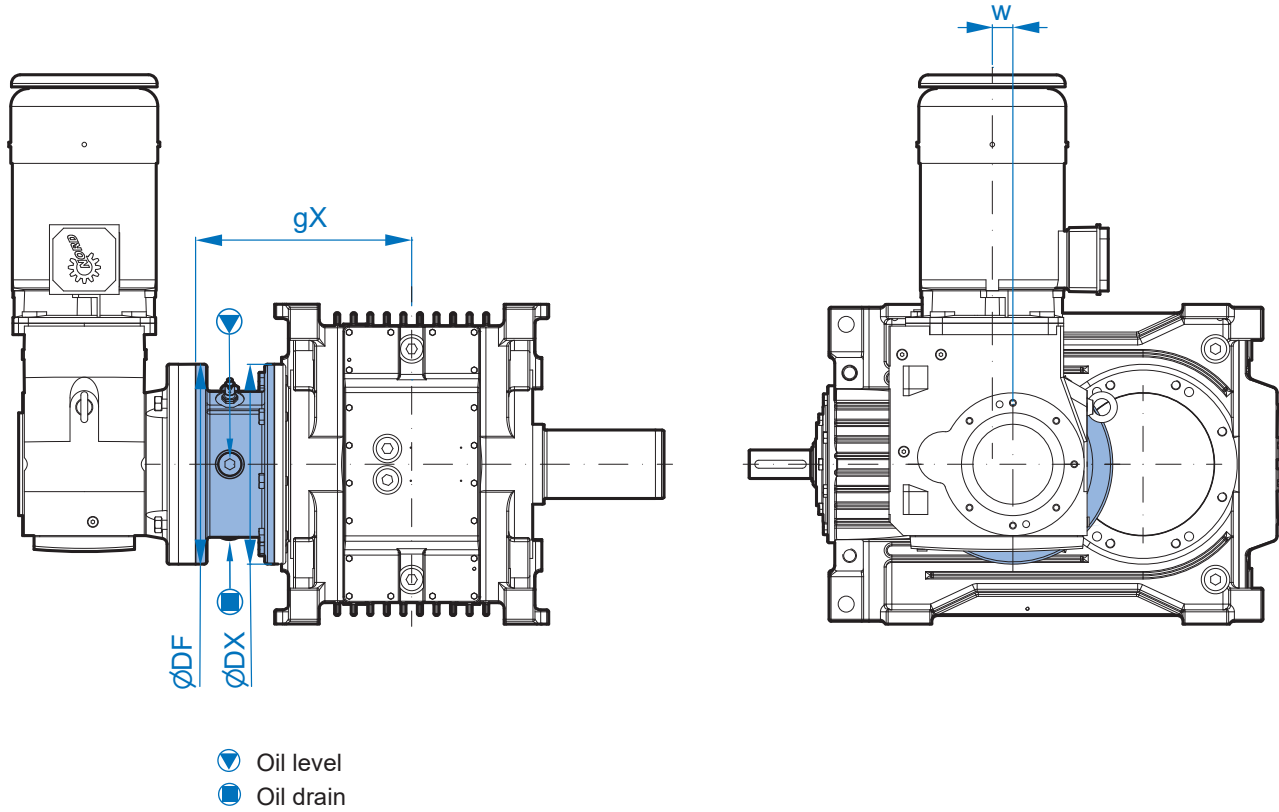
ED - Elastic Torque Support



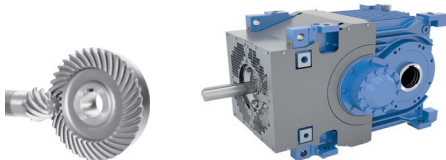
	H1	xG	g3	c	A	B	m	n	s
SK 5217	505	520	189	21	200	160	160	120	17
SK 6217	540	560	189	21	200	160	160	120	17
SK 7217	540	611	214	21	200	160	160	120	17
SK 8217	560	635	214	21	200	160	160	120	17
SK 9217	690	742,5	270,75	25	260	200	190	140	22
SK 10217	725	830,5	269,25	25	260	200	190	140	22
SK 11217	774	933	326	30	360	270	285	210	22



WX - Auxillary Drive



		ø DX	ø DF	gX	w
SK 5217	SK 9022.1	350	250	408,5	0
	SK 9032.1	350	250	408,5	0
	SK 9042.1	350	350	408,5	0
SK 6217	SK 9022.1	350	250	408,5	0
	SK 9032.1	350	250	408,5	0
	SK 9042.1	350	350	408,5	0
SK 7217	SK 9022.1	350	250	444	0
	SK 9032.1	350	250	444	0
	SK 9042.1	350	350	444	0
SK 8217	SK 9022.1	350	250	444	0
	SK 9032.1	350	250	444	0
	SK 9042.1	350	350	444	0
SK 9217	SK 9072.1	550	450	572,5	0
	SK 9082.1	550	550	649,5	0
SK 10217	SK 9072.1	550	450	572,5	0
	SK 9082.1	550	550	649,5	0
SK 11217	SK 9072.1	550	450	625	0
	SK 9082.1	550	550	702	0



A large grid area for taking notes, consisting of approximately 35 columns and 50 rows of light blue lines.

An overview of the NORD® range

G1050 MAXXDRIVE® Industrial gear units UNICASE housing 50 / 60 Hz

- Parallel-Axis
- Right-Angle

G1000 Fixed speeds UNICASE™ housing 50 Hz, 60 Hz

- NORDBLOC.1 Helical geared motors
- Helical geared motors
- Parallel geared motors
- Bevel geared motors
- Helical worm geared motors

G4014 Electronic variable speed drives

- NORDBLOC.1 Helical geared motors
- Helical geared motors
- Parallel geared motors
- Bevel geared motors
- Helical worm geared motors

G1035 UNIVERSAL Worm gear units

- SI and SMI

F3018 Frequency inverter SK180E

F3020 Frequency inverter SK200E

F3060 NORDAC PRO Frequency inverter SK500P



Intelligent Drivesystems, Worldwide Services

NORD DRIVESYSTEMS Group

Headquarters and Technology center
in Bargteheide, Germany, close to Hamburg

Innovative drive solutions
for more than 100 branches of industry

Mechanical products
parallell shaft, helical gear, bevel gear and worm gear units

Electrical products
IE2/IE3/IE4 motors

Electronic products
centralised and decentralised frequency inverters,
motor starters and field distribution systems

Seven state-of-the-art production plants
for all drive components

Subsidiaries and distributors
in 98 countries on 5 continents
provide local stocks, assembly, production,
technical support and customer service

More than 4.000 employees throughout the world
create customer oriented solutions

www.nord.com/locator

Headquarters:

Getriebebau NORD GmbH & Co. KG
Getriebebau-Nord-Straße 1
22941 Bargteheide, Germany
Fon +49 (0) 4532 / 289-0
Fax +49 (0) 4532 / 289-2253
info@nord.com, www.nord.com

Member of the NORD DRIVESYSTEMS Group

